

QPC - Direct LED Conversion

- ▶ **Economical Conversion Option For Pedestrian Scale LED**
 - Converts most Acorn and Lantern Style post top fixtures from HID or Incandescent to energy efficient LED.
 - Up to 70% Less Electricity
- ▶ **Glare Free Dark Sky Compliant Approach**
 - Patent pending advanced light mixing and direct optical techniques unify the individual LED's so they work as one. The result is uniform, controlled, highly efficient distribution.
- ▶ **Lower Maintenance Costs**
 - Based on our advanced thermal management techniques our systems will perform over time where many competing LED offerings will not.
- ▶ **Real Cost Savings**
 - When you combine the energy savings, longevity and quality of our approach to direct LED, the cost savings can be enormous.
- ▶ **Precision-Paragon Experience**
 - While many manufacturers promise long life and maintenance free performance from their LED products, it takes a real expert to create a fixture that delivers on that promise.
 - Our experience lets us deliver on the promise of LED lighting technology.



- Application**

 - Conversion kit option for re-lighting projects. Universities, Municipalities, and Campuses.
 - Replaces 175 and 150 watt HID systems.
 - Energy and maintenance savings combined with environmental sensitivity, and a motivation to improve infrastructure, creates re-lighting return on investment scenarios suitable for institutional funding.

QPC - CAA - 60W - UL - IND5 - NA - 2B

QPC	CAA	60W	UL	IND5	NA	2B	2.75	3.5	
Model	Lens	Input Watts	Voltage	Optics	Electrical Options	Bolt Pattern	Bolt Circle	Ballast Plate	Other

Model
QPC - Direct LED Conversion

Lens - Optional*
CAA = Style-A Clear Acrylic
CAB = Style-B Clear Acrylic
CAC = Style-C Clear Acrylic
CAD = Style-D Clear Acrylic
CPA = Style-A Clear PolyCarb
CPB = Style-B Clear PolyCarb
CPC = Style-C Clear PolyCarb
CPD = Style-D Clear PolyCarb
NA = No Lens

Input Watts
24W = 24 Watt LED Array
48W = 48 Watt LED Array
60W = 60 Watt LED Array
80W = 80 Watt LED Array

Voltage
UL = 120 through 277 volt
UH = 277 through 480 volt

Optics
IND5 = Type V Symmetrical

Bolt Pattern*
2B = 2x180
3B = 3x120
4B = 4x90
OC = Other Custom

Bolt Circle*
x.xx = Inches Diameter on Center

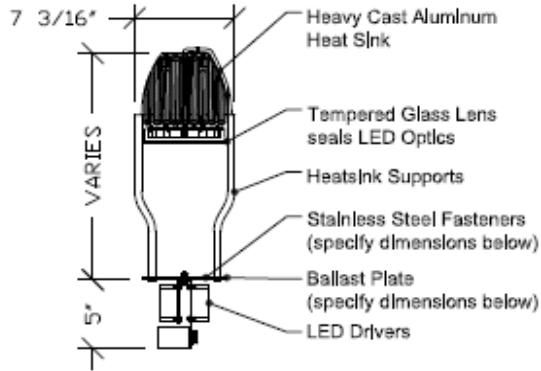
Ballast Plate*
x.xx = Inches Diameter

Options
PC = Photocell
LSP = Lighting Surge Protector

*Consult Factory for Ordering Assistance

QPC - Direct LED Conversion

Retrofit Kit Details



Construction:

All cast aluminum parts shall be low copper alloy A356. All extruded aluminum parts shall be alloy 6061-T6, 6063-T5 or equal.

Electrical Assembly (LED):

The electronic driver(s) shall be mounted with nonferrous fasteners. The driver(s) shall have a high-temperature, flame-resistant (UL 94V-0 minimum) enclosure. The input voltage range shall be 120-277 VAC, 47 to 63 Hz with a 90% power factor at full load. An integral step-down transformer shall be provided when a 347V or 480V input voltage is required. Load regulation shall be $\pm 3\%$. The driver shall have output over voltage and over current protection and output short circuit protection with auto recovery. Operating temperature shall be -30°C to 60°C . The driver shall be designed to operate for 100K hours (MTBF) and the LED source shall be rated for a minimum of 50K hours (70% lumen maintenance @ 25°C ambient temperature). The LED source shall be mounted to an aluminum heat sink and located within a luminaire (by others).

Dual drivers may be utilized for ballast switching (consult factory).

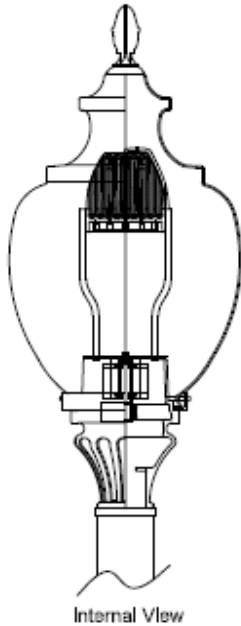
The retrofit kit shall be CSA Recognized and suitable for installation in qualifying wet location rated fixtures.

Fasteners:

All fasteners shall be stainless steel.

Finish:

Heat sink finish shall be Beacote V black polyester powdercoat electrostatically applied and thermocured. Components shall be subjected to chemical pre-treatment prior to painting by immersion process.



Replacement Globe Styles (Optional)

