

QPI-Providence Indirect LED Conversion

- Economical Conversion Option For Pedestrian Scale LED**

 - Converts most Acorn and Lantern Style post top fixtures from HID or Incandescent to energy efficient LED.
 - Up to 70% Less Electricity.
- Glare Free Dark Sky Compliant Approach**

 - Patent pending advanced light mixing and indirect optical techniques unify the individual LED's so they work as one. The result is uniform, controlled, highly efficient distribution not possible with a direct LED approach.
- Lower Maintenance Costs**

 - Based on our advanced thermal management techniques our systems will perform over time where many competing LED offerings will not.
- Real Cost Savings**

 - When you combine the energy savings, longevity and quality of our approach to indirect LED, the cost savings can be enormous.
- Precision-Paragon Experience**

 - While many manufacturers promise long life and maintenance free performance from their LED products, it takes a real expert to create a fixture that delivers on that promise.
 - Our experience lets us deliver on the promise of LED lighting technology.

○ The Providence Indirect LED Conversion



○ Application

- Conversion kit option for re-lighting projects. Universities, Municipalities, and Campuses.
- Replaces 175 and 150 watt HID systems.
- Energy and maintenance savings combined with environmental sensitivity, and a motivation to improve infrastructure, creates re-lighting return on investment scenarios suitable for institutional funding.

QPI-CAA-60W-UL-IND5-NA-2B

QPI	CAA	60W	UL	IND5	NA	2B	2.75	3.5	
Model	Lens	Input Watts	Voltage	Optics	Electrical Options	Bolt Pattern	Bolt Circle	Ballast Plate	Other

Model

QPI-Providence LED Conversion

Lens-Optional*

CAA = Style-A Clear Acrylic
 CAB = Style-B Clear Acrylic
 CAC = Style-C Clear Acrylic
 CAD = Style-D Clear Acrylic
 CPA = Style-A Clear PolyCarb
 CPB = Style-B Clear PolyCarb
 CPC = Style-C Clear PolyCarb
 CPD = Style-D Clear PolyCarb
 NA = No Lens

Input Watts

24W = 24 Watt LED Array
 48W = 48 Watt LED Array
 60W = 60 Watt LED Array
 80W = 80 Watt LED Array

Voltage

UL = 120 through 277 volt
 UH = 277 through 480 volt

Optics

IND5 = Type V Symmetrical

Bolt Pattern*

2B = 2x180
 3B = 3x120
 4B = 4x90
 OC = Other Custom

Bolt Circle*

x.xx = Inches Diameter on Center

Ballast Plate*

x.xx = Inches Diameter

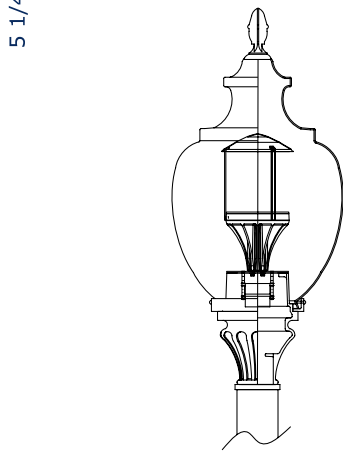
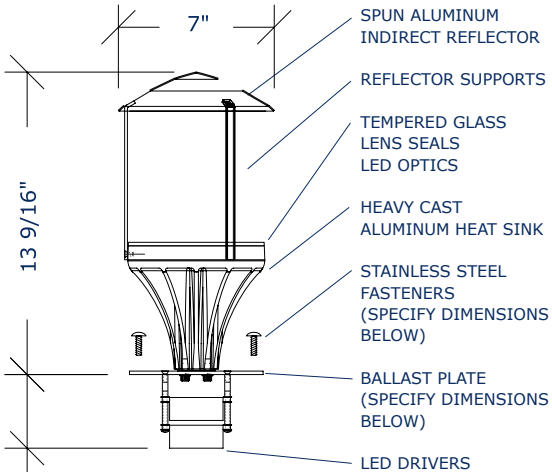
Options

PC = Photocell
 LSP = Lighting Surge Protector

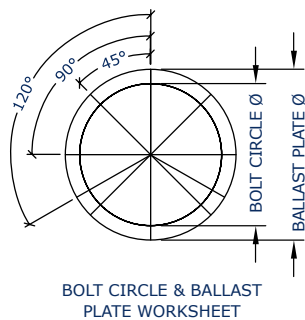
* Consult Factory for Ordering Assistance

QPI-Providence Indirect LED Conversion

Retrofit Kit Detail



INTERNAL VIEW



BOLT CIRCLE & BALLAST PLATE WORKSHEET

Specifications

Construction

All cast aluminum parts shall be low copper alloy A356. All extruded aluminum parts shall be alloy 6061-T6, 6063-T5 or equal.

Electrical Assembly (LED)

The electrical assembly shall be comprised of an electronic LED driver assembly designed to operate the integral 24w, 48w, 60w or 90w LED light engine (LED source). The driver(s) shall be integrally mounted with nonferrous fasteners. The driver shall have a high temperature, flame-resistant (UL 94-V0 minimum) plastic enclosure, 90°C maximum surface temp rating, and thermally protected transient over-voltage circuit. The input voltage range shall be 120-277 VAC, 47 to 63 Hz with a 90% power factor at full load. A integral step-down transformer shall be provided when a 347V or 480V input voltage is required. Load regulation shall be +/- 3%. The driver shall have output over voltage and over current protection and output short circuit protection with Auto Recovery. Operating temperature shall be -30c to +60c. The driver shall be designed to operate at full load for 100,000 hours (mean time to failure) and the LED source shall be rated for 50,000 hours (70% lumen maintenance). The LED source shall be mounted to a thermally conductive medium (heat sink) and located within a sealed luminaire (by others). The retrofit kit shall be UL Classified and suitable for installation in qualifying wet location rated fixtures.

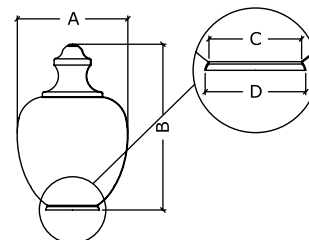
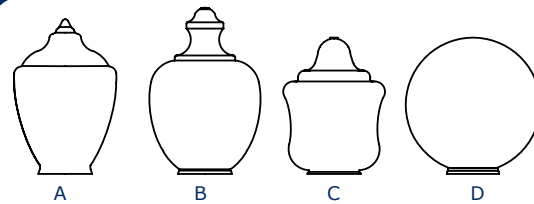
Fasteners

All fasteners shall be stainless steel.

Finish

Heat sink finish shall be Beacote III black polyester powdercoat electrostatically applied and thermocured. Components shall be subjected to chemical pre-treatment prior to painting by immersion process.

Replacement Globe Styles (optional)



A: (WIDTH)
B: (HEIGHT)
C: (NECK I.D.)
D: (NECK O.D.)