

QWD - Direct Pedestrian Scale LED

- ▶ **Up to 70% Less Electricity**
 - The Precision-Paragon direct pedestrian scale approach uses far less energy than traditional systems while addressing the same lighting task.
- ▶ **Better Lighting**
 - Our LED light engines deliver better quality of light than traditional incandescent, high pressure sodium, metal halide fixtures.
- ▶ **Lower Maintenance Costs**
 - Based on our advanced thermal management techniques our systems will perform over time where many competing LED offerings will not.
- ▶ **Real Cost Savings**
 - When you combine the energy savings, longevity and quality of our approach to direct LED, the cost savings can be enormous.
- ▶ **Precision-Paragon Experience**
 - While many manufacturers promise long life and maintenance free performance from their LED products, it takes a real expert to create a fixture that delivers on that promise.
 - Our experience lets us deliver on the promise of LED lighting technology.

Direct Pedestrian Scale LED



Application

- Re-lighting projects for Universities, Municipalities, and Campuses.
- Replaces 175 and 250 watt HID systems.
- Energy and maintenance savings combined with environmental sensitivity, and a motivation to improve infrastructure, creates re-lighting return on investment scenarios suitable for institutional funding.

QWD - CA - 48W - UL - IND5 - NA - BB

QWD	CA	48W	UL	IND5	NA	BB			
Model	Lens	Input Watts	Voltage	Optics	Electrical Options	Fixture Finish	Other	Other	Other

Model

QWD - Direct Pedestrian Scale LED

Lens

CA = Clear Acrylic

Input Watts

24W = 24 Watt LED Array
48W = 48 Watt LED Array
60W = 60 Watt LED Array
80W = 80 Watt LED Array

Voltage

UL = 120 through 277 volt
UH = 277 through 480 volt

Optics

DIR5 = Type V Symmetrical
DIR3 = Type III Forward Throw

Electrical Options

PC = Photocell
LSP = Lighting Surge Protector
NA = None Selected

Fixture Finish

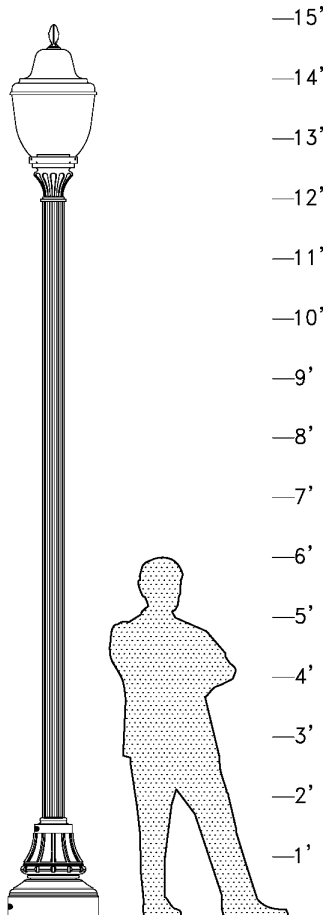
BB = Black
BZ = Bronze
BG = Green
BW = White
BY = Gray
RAL = RALxxxx (RAL Specification)

Other

WM = Wall Mount Bracket
(Requires IND3 optics)
xxK = xx Positions Indicate Color Temperature
(60K or 6000 Kelvin nominal is standard.
All other temperatures are special order)

QWD - Direct Pedestrian Scale LED

Perspective



Specifications

Construction:

All cast aluminum components shall be low copper alloy A356. All extruded aluminum components shall be alloy 6061-T6, 6063-T5 or equal. All spun components shall be alloy 1070, 3002 or 1100.

Lens:

The acrylic lens material shall be UV stabilized and impact resistant (Minimum notched Izod impact strength (ASTM D256) of 1.1 ft-lb/in) and shall also be sealed by a sponge silicone gasket at the lens top and bottom which shall seal the optical enclosure for weather tight operation.

Housing / Fitter:

The bottom housing / fitter shall be a cast aluminum, decorative fitter designed to accommodate the ballast assembly and shall mount to a 3"OD x 3"H tenon and be secured by six stainless steel set screws.

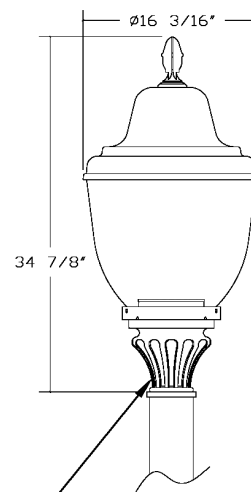
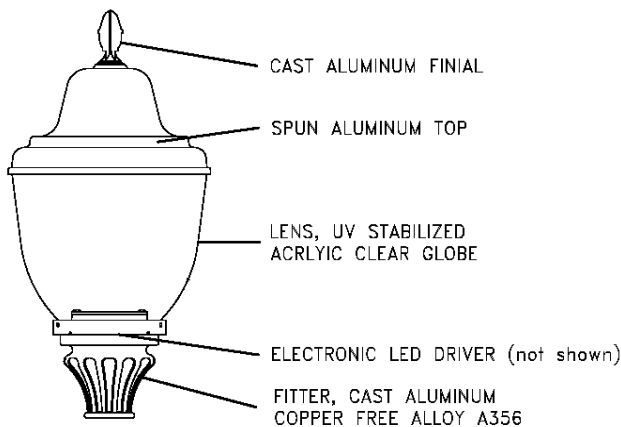
The electronic driver(s) shall be mounted with nonferrous fasteners. The driver(s) shall have a high-temperature, flame-resistant (UL 94V-0 minimum) enclosure. The input voltage range shall be 120-277 VAC, 47 to 63 Hz with a 90% power factor at full load. An integral step-down transformer shall be provided when a 347V or 480V input voltage is required. Load regulation shall be +/- 3%. The driver shall have output over voltage and over current protection and output short circuit protection with auto recovery. Operating temperature shall be -30°C to 60°C. The driver shall be designed to operate for 100K hours (MTBF) and the LED source shall be rated for a minimum of 50K hours (70% lumen maintenance @ 35°C ambient temperature). The LED source shall be mounted to an aluminum heat sink and located within the optical housing. Dual drivers may be utilized for bi-level switching.

The luminaires shall be NRTL listed and suitable for wet locations.

Finish:

All aluminum components shall be subjected to a 5-stage chrome-free pre-treatment process by immersion. AAMA 2604 grade powdercoat paint shall be electrostatically applied following outgassing. All fasteners are stainless steel.

Luminaire Details



FIXTURE SLIPS OVER A 3"x3" TENON. CONTACT FACTORY IF OTHER TENON SIZES NEED TO BE ACCOMMODATED.