

TMC Series - LED Freezer Box/Utility Light

Seeking an Ultra-long Life Energy Efficient Lighting Solution?

- As LED efficacies climb and costs begin to descend, LED is becoming viable in more and more general lighting applications.
- Walk-in freezers illuminated with 100w and 150w incandescent jelly jars are good candidates for LED, which thrives at low temperatures.
- Utility and task lighting in harsh or high security applications demand long life, LED provides it.
- Some people just want it because they are stupid and are infected by the hype. We can deliver.

Why P2? It's Simple. Our Experience.

- Properly deployed, and aimed at commercially viable applications, LED is a valuable light source.
- Improperly deployed on your project, it can be a nightmare that damages your credibility with your customer.
- Anyone adapt LED to existing fixture bodies and many have created LED light sources that mimic legacy light source form factors but fail to deliver comparable performance.
- It takes a real expert to combine LED technology with proper lighting fundamentals and commercially viable applications.
- Our engineers have the tools and expertise to thermally and photometrically model your system to ensure that the long life and performance promised by LED is delivered.

Long Life, Low Wattage LED Utility Light



Application

- Walk-in Freezers.
- High Security.
- Harsh Location Task Lighting.

TMC - 21W - PD - 50K - 12C - UL - 520 - YC

TMC	21W	PD	50K	12C	UL	520	YC		
Fixture Series	Input Watts	Optics/Lens	Color Temp	LED Chip Quantity	Voltage	Drive Current	Mounting	Other	Other

Fixture Series

TMC = Freezer/Utility Light

Input Watts

14W = 14 Watt (12 Chip, 350 mA)
16W = 16 Watt (6 Chip, 700 mA)
21W = 21 Watt (18 Chip, 350 mA)
21W = 21 Watt (12 Chip, 520 mA)

Optics/Lens

PD = Prismatic Dome Lens System

Color Temperature

50K = 5000 Kelvin

Qty of LED Chips

6C = 6 Chip Board
12C = 12 Chip Board
18C = 18 Chip Board

Voltage

UL = 120 through 277 volt

Drive Current

350 = 350 mA Across Chip
520 = 520 mA Across Chip
700 = 700 mA Across Chip

Mounting

YM = Yoke Mount Only, 18" Cord
YC = Yoke Mount with WCA Cover Plate Assembly

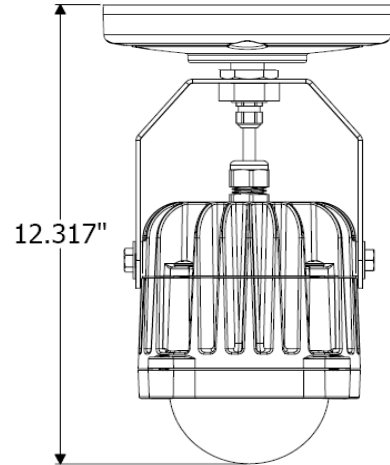
Other Accessories Ordered Separately

AJ = Architectural Junction Box
WCA = Two Piece Wall/Ceiling Adaptor
12NA = 1/2" Water Tight NPT Adaptor
34NA = 3/4" Water Tight NPT Adaptor

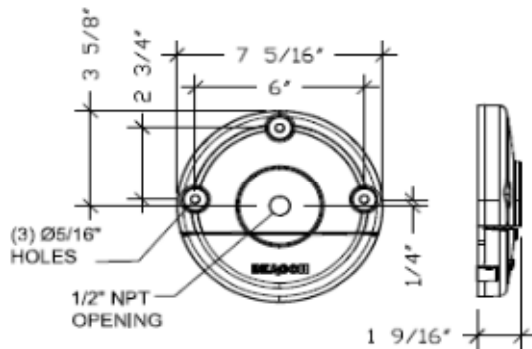
TMC Series - LED Freezer Box/Utility Light

Fixture Construction

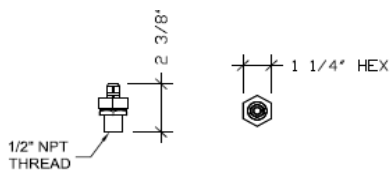
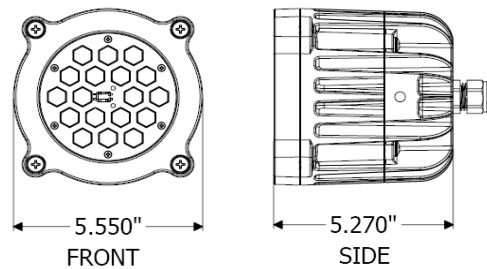
- Die cast aluminum body designed for maximum heat dissipation.
- Designed to meet IP66 standards.
- Sealed acrylic lens.
- Stainless steel fasteners.
- Dedicated constant current driver.
- Advanced thermal management techniques and components.



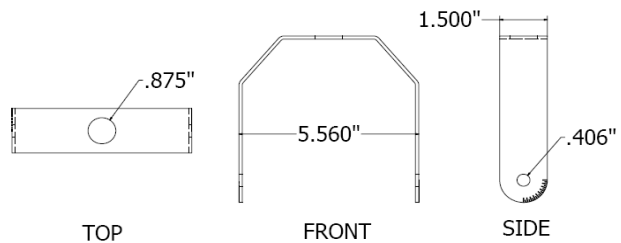
YC = Yoke Mount with complete WCA Adaptor Assembly



WCA = Two Piece Wall/Ceiling Adapter



12NA = Aluminum/Brass Water Tight NPT Adaptor



AJ = Architectural J-Box

