

TMO Series - LED Flood

Seeking an Ultra-long Life Energy Efficient Lighting Solution?

- As LED efficacies climb and costs begin to descend, LED is becoming viable in more and more general lighting applications.
- Many low wattage spot, flood, security, and accent applications can benefit from the directional characteristics of LED.
- Amazingly, a single TMO LED flood replaces ground mounted 150-250 watt HID flagpole floods, sign lighters, and palm floods with ease.

Why P2? It's Simple. Our Experience.

- Properly deployed, and aimed at commercially viable applications, LED is a valuable light source.
- Improperly deployed on your project, it can be a nightmare that damages your credibility with your customer.
- Anyone can adapt LED to existing fixture bodies. Many have created LED light sources that mimic legacy products but fail to deliver comparable performance.
- It takes a real expert to combine LED technology with proper lighting fundamentals and commercially viable applications.
- Our engineers have the tools and expertise to thermally and photometrically model your system to ensure that the long life and performance promised by LED is delivered.

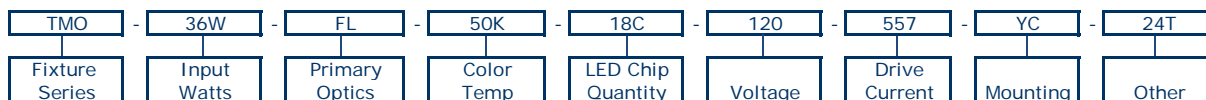
Long Life LED Flood Light



Application

- Flood
- Wall Pack
- Building Signage
- Flagpoles
- Palm Trees
- Wall Wash
- Security

TMO - 36W - FL - 50K - 18C - 120 - 557 - YC - 24T



Fixture Series
TMO = LED Flood Light

Input Watts
20W = 20 Watt (1)
26W = 26 Watt (2)
36W = 36 Watt (3)

Primary Optics
SP = 15 Deg Spot
NFL = 30 Degree Narrow Flood
FL = 60 Deg Flood

Numeric Footnotes

- (1) Available in 18 chip board and 300 mA drive current only.
(2) Available in 24 chip board and 300 mA drive current only.
(3) Available in 18 chip board, 5000 Kelvin and 557 mA drive current only.

Color Temperature
40K = 4000 Kelvin
50K = 5000 Kelvin

Qty of LED Chips
18C = 18 Chip Board
24C = 24 Chip Board

Voltage
120v = 120 Volt Only
277v = 277 Volt Only

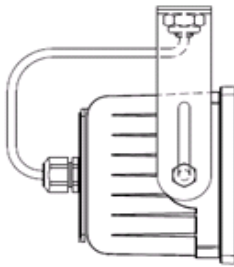
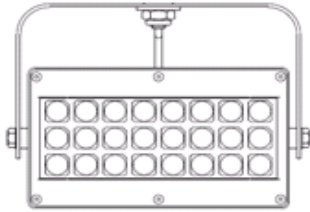
Drive Current
300 = 300 mA Across Chip
557 = 557 mA Across Chip

Mounting
YM = Yoke Mount Only w/18" Cord
YC = Yoke Mount with WCA Cover Plate Assembly
KM = Knuckle Mount

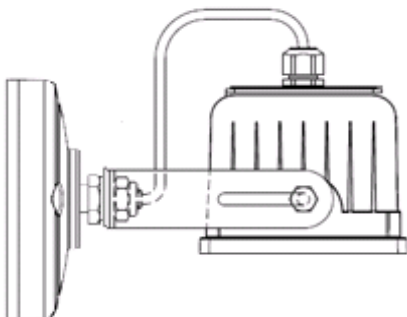
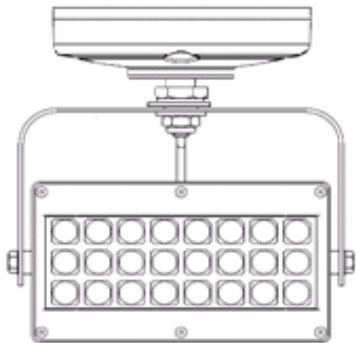
Other Accessories Ordered Separately
WCA = Two Piece Wall/Ceiling Adaptor
24T = 24" Gripple Tether

TMO Series - LED Flood

YM = Yoke Mount



YC = Yoke Mount with WCA Cover Plate Assembly



Fixture Construction

- Die cast aluminum body designed for maximum heat dissipation.
- Sealed polycarbonate lens.
- Dedicated constant current driver.
- Advanced thermal management techniques and components.

KM = Knuckle Mount

