

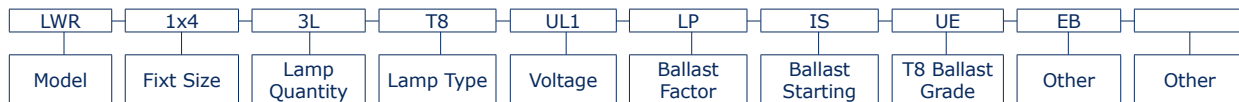
## LWR – Heavy Duty Institutional Wrap

- ▶ Relighting an education or government facility that requires specification grade features and performance?
  - The LWR fixture has several key features sought by schools or other government related institutions.
  - Post fabrication powder coat finish to maximize durability
  - Long lasting heavy duty 22 gauge steel construction.
  - Tool-less ballast access.
  - Secure mechanical latching lens.
- ▶ Need an option you don't see? Need it now?
  - P2 has the flexibility to provide anything you need fast.
  - With quick turn around times we can have your fixtures on site before you get a quote from large white good manufacturers.
- ▶ Why P2? It's Simple, Our Experience.
  - You may not always need all of the LWR's features. When cost is the primary concern try our SWR for an aesthetically pleasing alternative.



- ▶ Application
- Perfect for responding to government project specifications.
  - Excellent choice for replacing old T12 wraps commonly found in schools.
  - Utilizes the latest in energy efficient lamps and ballasts.

### LWR – 1x4 – 3L – T8 – UL1 – LP – IS – UE – EB



Fixture Series

LWR = Heavy Duty Institutional Wrap

Fixture Size

1x4 = 1x4 Nominal  
1x8 = 1x8 Nominal

Lamp Qty

1L = One Lamp  
2L = Two Lamps  
3L = Three Lamps  
4L = Four Lamps  
6L = Six Lamps

Lamp Type

T8 = Linear T8 Lamps

Voltage (1)

UL1 = Universal 120-277  
UL2 = Universal 120-277  
UH1 = Universal 347-480  
UH2 = Universal 347-480  
120 = 120 Volt Dedicated  
277 = 277 Volt Dedicated  
347 = 347 Volt Dedicated

Ballast Factor (2)

XL = Ultra Low Power (.62 - .66)  
LP = Low Power (.75 - .78)  
MP = Mid Power (.85 - .88)  
MN = Neutral Power (.97 - 1.04)  
HP = High Power (1.15 - 1.20)

Ballast Starting Method

PS = Programmed Start  
IS = Instant Start  
PSD = Program Start Step Dimming  
ISD = Instant Start Step Dimming  
PVD = Program Start 0-10v Variable Dim  
IVD = Instant Start 0-10v Variable Dim

T8 Ballast Grade

ST = Standard Grade  
UE = Ultra Efficient T8

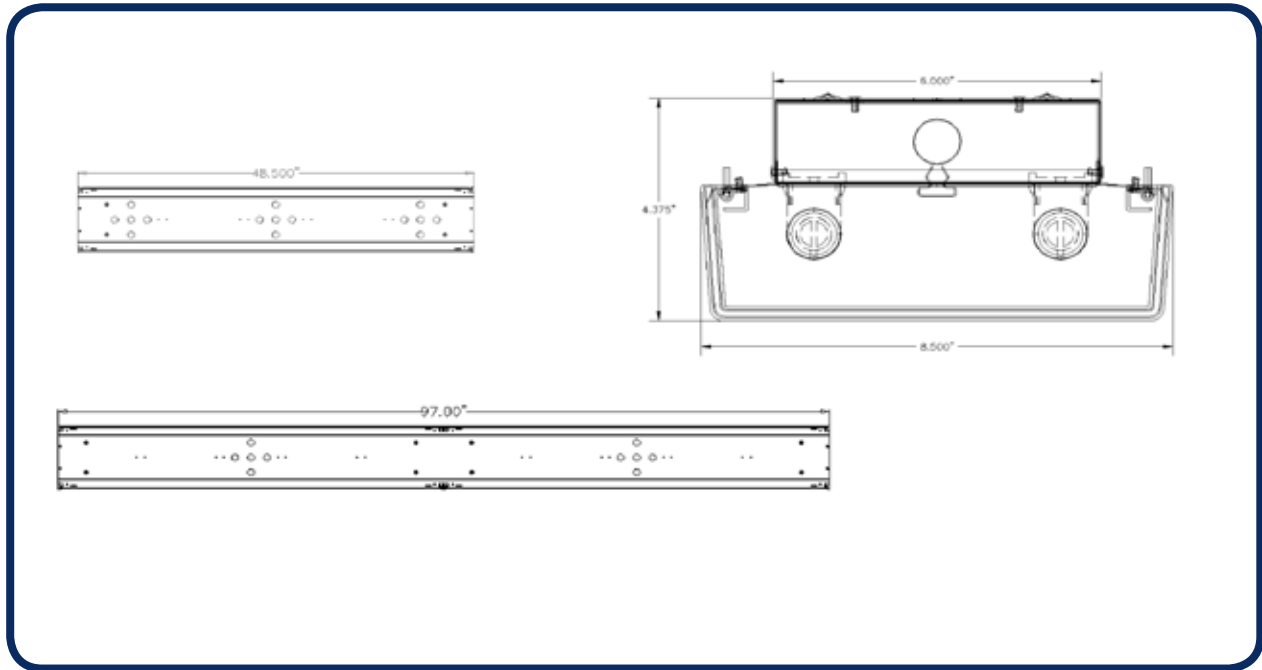
Other Options

SB = Specific Ballast Type or Manufacturer (3)  
EB = Emergency Battery Backup (3)  
HA = Heavy Duty White Aluminum Pre=Paint Body

Numeric Footnotes

- (1) Numeral indicates number of ballasts per fixture.
- (2) Ballast factors outside ranges shown to be called out numerically.
- (3) If SB or EB is requested, purchaser must identify the ballast manufacturer and the catalog number.

## LWR – Heavy Duty Institutional Wrap



### Existing Systems

Existing Lamp / Ballast System	Lamp Quantity & Type	Mean Lumens Per Lamp	Mean Lumens Per Fixture	Ballast Factor	Net Lumens Per Fixture	Input Watts	Net Lumens Per Watt
2L40-T12 Mag	2 F40/T12/WM	2,280	4,560	0.88	4,013	72	56
3L40-T12 Mag	3 F40/T12/WM	2,280	6,840	0.88	6,019	115	52
4L40-T12 Mag	4 F40/T12/WM	2,280	9,120	0.88	8,026	144	56
1L96-T12 Mag	1 F96/T12/ES	4,750	4,750	0.88	4,180	76	55
2L96-T12 Mag	2 F96/T12/ES	4,750	9,500	0.88	8,360	126	66
1L96-T12HO Mag	1 F96/T12HO/ES	6,950	6,950	0.95	6,603	125	53
2L96-T12HO Mag	2 F96/T12HO/ES	6,950	13,900	0.93	12,927	210	62

### Re-Lighting Options

Proposed Lamp / Ballast System	Lamp Quantity & Type	Mean Lumens Per Lamp	Mean Lumens Per Fixture	Ballast Factor	Net Lumens Per Fixture	Input Watts	Net Lumens Per Watt
2L32-T8-LP Elec	2 F32T8/841	2,800	5,600	0.77	4,312	48	90
2L32-T8-MP Elec	2 F32T8/841	2,800	5,600	0.87	4,872	53	92
3L32-T8-LP Elec	3 F32T8/841	2,800	8,400	0.77	6,468	72	90
3L32-T8-MP Elec	3 F32T8/841	2,800	8,400	0.87	7,308	80	91
4L32-T8-LP Elec	4 F32T8/741	2,660	10,640	0.77	8,193	96	85
4L32-T8-MP Elec	4 F32T8/741	2,660	10,640	0.87	9,257	107	87
6L32T8-MP Elec	6 F32T8/841	2,800	16,800	0.87	14,616	160	91
6L32T8-LP Elec	6 F32T8/841	2,800	16,800	0.77	12,936	144	90

### General Notes

- Lamp/ballast system values shown are a general reference intended to supply a quick comparison of several common lamp/ballast systems, the associated energy consumption, and net lumen output.
- Values shown are based on normal operating temperatures and at 277 volts.
- Fixture efficiency percentages are generally representative of each system type, actual values will vary.
- There are many operating variables that affect system output, in addition to rating variances from brand to brand.
- All T8 electronic ballast values shown are based on Ultra Efficient (aka 3rd Generation) T8 ballasts.
- All T5 and T8 lamp values shown are for basic grade lamps. Extended life and higher lumen lamps types are available.
- In addition to those shown there are a wide variety of systems to choose from, each with distinct features and cost points.
- Please consult the lamp/ballast manufacturer's catalogs for the detailed information required to model your system.