


PSP – Direct/Indirect Pendant

 School Re-lighting? Easy Spec, Order, and Installation. Short Lead Times. The PSP Delivers Efficient, Economical, Direct/Indirect Lighting.

- Cost point drives compelling ROI scenarios.
- Left/Right Switching = Standard
- Inner/Outer Switching = Standard
- Hi-Lo Step Dimming = No Problem
- Quick Connect Wiring = Standard
- Adjustable Cable Mount = Standard
- Zero Tolerance Couplers = Standard
- Simple Row Configurations = No Problem

 Why P2? It's Simple. Our Experience.

- We know that school audits are complex enough without having to audit, process data, and order material based on detailed row counts.
- Our modular approach allows us to take row lighting to its simplest form, greatly reducing order complexity and opportunity for error. This allows your project managers to focus on delivering a great project.
- 1st Simply audit as usual, roll up 4' and 8' fixture counts, and order RMK mounting. 2nd Estimate total row counts on campus, and order RTK row trim kits. 3rd return any unused RTK trim kits to us for a full credit. Simple.

 PSP – Perf Body Pendant 80% Uplight 20% Downlight



 Application

- Education, retail, medical, office.
- Optimized for suspension 18" below 9' ceiling.
- Low glare Direct/Indirect lighting.
- Available in 1, 2 or 3 lamp cross sections and in 4' or 8' lengths.
- Individual or row mounted.

PSP – 1x8 – 4L – T8 – ULX – MP – IS – UE – UP60 – RMK – LR

PSP	1x8	4L	T8	ULX	MP	IS	UE	UP60	RMK	LR
Model	Fixt Size	Lamp Quantity	Lamp Type	Voltage	Ballast Factor	Ballast Starting	Ballast Grade	Uplight	Mounting	Switching

Fixture Series

PSP = DID Pendant
Perf Accent Body

Fixture Size

1x4 = 1x4 Nominal
1x8 = 1x8 Nominal

Lamp Qty

xL = x Indicates Qty Lamps

Lamp Type

T8 = Linear T8 Lamps
T5HO = Linear T5HO Lamps

Voltage (1)

ULX = Universal 120-277

Ballast Factor (2)

LP = Low Power (.75 - .78)
MP = Mid Power (.85 - .88)
MN = Neutral Power (.97 - 1.04)
HP = High Power (1.15 - 1.20)

Ballast Starting

PS = Programmed Start
IS = Instant Start
ISD = Instant Start Step Dimming

Ballast Grade

ST = Standard Grade
UE = Ultra Efficient T8

Uplight

UP80 = 80% Uplight (Standard)
UP70 = 70% Uplight (Option)

Mounting (3)

SMK = Single Mount Kit.
Includes Per Fixture;
[2] Cables [1] Std Canopy
[1] Power Canopy
[1] White Power Feed
Cord & [2] End Caps

RMK = Row Mount Kit.

Includes Per Fixture;
[1] Cable [1] Std Canopy

Switching

LR = Left/Right Switching, 2L Cross-X
IO = Inner/Outer Switching, 3L Cross-X
SK = Single Circuit, Any Cross-X

Separate Accessories (4)

RTK = Row Trim Kit. Includes, Per Row;
[2] End Caps [1] Power Canopy
[1] Power Feed Cord [1] Cable

Numeric Footnotes

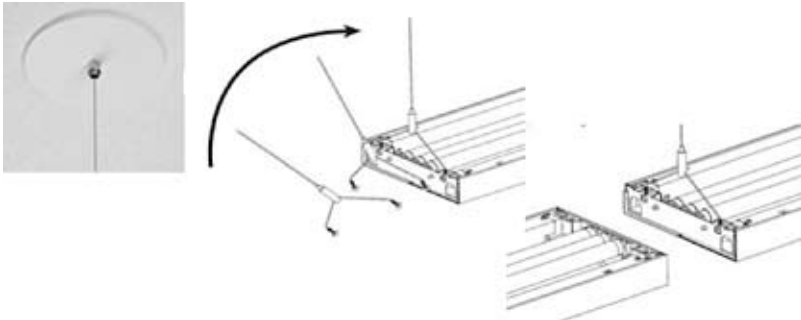
- (1) Ballasts per fixture will be configured at factory based on switching specification.
- (2) Ballast factors outside ranges shown to be called out numerically.
- (3) When RMK mounting is ordered, Row Trim Kits (RTK) must be ordered separately.
- (4) Order accessories separately, these are not part of a configured fixture.

PSP – Direct/Indirect Pendant

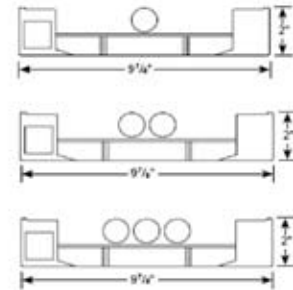
Fixture Construction

- Rigid 20 Gauge Steel Construction
- Standard Perforated Housing.
- Patented die cast couplers and end caps ensure straight rows with no light leak.
- Standard 2 Circuit Whips and L/R or I/O switching.
- Standard easy level cable mount and white finished canopy.
- Matte white finish or custom RAL colors.

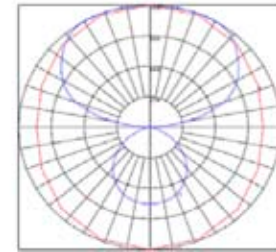
Mounting Images



Perf Cross Sections



2LT8 Candela Curve
(90 Degree Plane)



Existing Systems

Existing Lamp / Ballast System	Lamp Quantity & Type	Mean Lumens Per Lamp	Mean Lumens Per Fixture	Ballast Factor	Net Lumens Per Fixture	Input Watts	Net Lumens Per Watt
2L40-T12 Mag	2 F40/T12/WM	2,280	4,560	0.88	4,013	72	56
4L40-T12 Mag	4 F40/T12/WM	2,280	9,120	0.88	8,026	144	56
1L96-T12 Mag	1 F96/T12/ES	4,750	4,750	0.88	4,180	76	55
2L96-T12 Mag	2 F96/T12/ES	4,750	9,500	0.88	8,360	126	66
1L96-T12HO Mag	1 F96/T12HO/ES	6,950	6,950	0.95	6,603	125	53
2L96-T12HO Mag	2 F96/T12HO/ES	6,950	13,900	0.93	12,927	210	62

Re-Lighting Options

Proposed Lamp / Ballast System	Lamp Quantity & Type	Mean Lumens Per Lamp	Mean Lumens Per Fixture	Ballast Factor	Net Lumens Per Fixture	Input Watts	Net Lumens Per Watt
2L32-T8-LP Elec	2 F32T8/841	2,800	5,600	0.77	4,312	48	90
2L32-T8-MP Elec	2 F32T8/841	2,800	5,600	0.87	4,872	53	92
4L32-T8-LP Elec	4 F32T8/741	2,660	10,640	0.77	8,193	96	85
4L32-T8-MP Elec	4 F32T8/741	2,660	10,640	0.87	9,257	107	87
6L32T8-LP Elec	6 F32T8/841	2,800	16,800	0.77	12,936	144	90
6L32T8-MP Elec	6 F32T8/841	2,800	16,800	0.87	14,616	160	91

General Notes

- Lamp/ballast system values shown are a general reference intended to supply a quick comparison of several common lamp/ballast systems, the associated energy consumption, and net lumen output.
- Values shown are based on normal operating temperatures and at 277 volts.
- Fixture efficiencies and layout are not comprehended in the table, but will determine the usefulness of the system.
- There are many operating variables that affect system output, in addition to rating variances from brand to brand.
- All T8 electronic ballast values shown are based on Ultra Efficient (aka 3rd Generation) T8 ballasts.