

RWL – Radius Wrap

Looking for an attractive fixture at a low price point?

- The RWL provides upgraded aesthetics in a cost efficient fixture.
- Replace unsightly utility fixtures with an energy efficient alternative.
- Available in T5, T5HO, and T8 technologies to provide consistency throughout your project.
- Suitable for surface or suspension mounting.

Time is Money

- We understand that you need quick turn around times to make your bottom line.
- Our agile service hub can meet your needs fast and get you back to what's really important, your customers.
- From quoting to engineering, we measure our response time in hours not days.

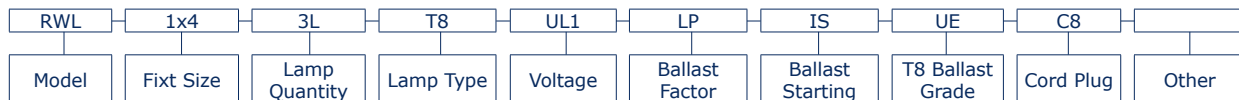
RWL – Radius Wrap



Application

- Suitable for a variety of general utility applications.
- Excellent fixture for multiple level parking garages.
- Available in 4' or 8' configurations and 1, 2, and 3 lamp cross sections.

RWL – 1x4 – 3L – T8 – UL1 – LP – IS – UE – C8



Fixture Series
RWL = Standard Radial Wrap

Fixture Size
1x4 = 1x4 Nominal
1x8 = 1x8 Nominal

Lamp Qty
1L = One Lamp
2L = Two Lamps
3L = Three Lamps
4L = Four Lamps
6L = Six Lamps

Lamp Type
T8 = Linear T8 Lamps
T5 = Linear T5 Lamps
T5HO = Linear T5HO Lamps

Voltage (1)
UL1 = Universal 120-277
UL2 = Universal 120-277
UH1 = Universal 347-480
UH2 = Universal 347-480
120 = 120 Volt Dedicated
277 = 277 Volt Dedicated
347 = 347 Volt Dedicated

Ballast Factor (2)
XL = Ultra Low Power (.62 – .66)
LP = Low Power (.75 – .78)
MP = Mid Power (.85 – .88)
MN = Neutral Power (.97 – 1.04)
HP = High Power (1.15 – 1.20)

Ballast Starting Method
PS = Programmed Start
IS = Instant Start

Ballast Grade
ST = Standard Grade
UE = Ultra Efficient T8

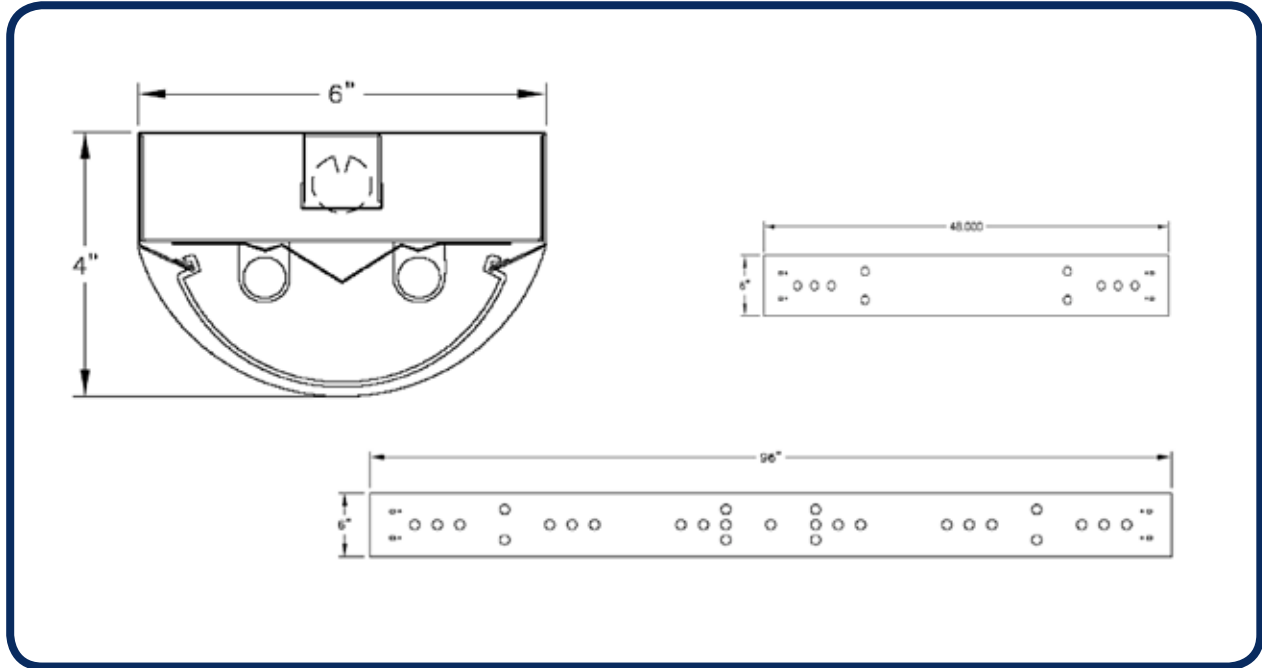
Cord & Plug
C8 = 8' Cord, No Plug
C8/L715 = 8' Cord & Plug (L7-15P)
PQC15 = 15' Cord/Quick Connect

Other Options
SB = Specific Ballast Type or Manufacturer (3)
EB = Emergency Battery Backup (3)

Numeric Footnotes

- (1) Numeral indicates number of ballasts per fixture.
- (2) Ballast factors outside ranges shown to be called out numerically.
- (3) If SB or EB is requested, purchaser must identify the ballast manufacturer and the catalog number.

RWL – Radius Wrap



Existing Systems

Existing Lamp / Ballast System	Lamp Quantity & Type	Mean Lumens Per Lamp	Mean Lumens Per Fixture	Ballast Factor	Net Lumens Per Fixture	Input Watts	Net Lumens Per Watt
2L40-T12 Mag	2 F40/T12/WM	2,280	4,560	0.88	4,013	72	56
3L40-T12 Mag	3 F40/T12/WM	2,280	6,840	0.88	6,019	115	52
4L40-T12 Mag	4 F40/T12/WM	2,280	9,120	0.88	8,026	144	56
1L96-T12 Mag	1 F96/T12/ES	4,750	4,750	0.88	4,180	76	55
2L96-T12 Mag	2 F96/T12/ES	4,750	9,500	0.88	8,360	126	66
1L96-T12HO Mag	1 F96/T12HO/ES	6,950	6,950	0.95	6,603	125	53
2L96-T12HO Mag	2 F96/T12HO/ES	6,950	13,900	0.93	12,927	210	62

Re-Lighting Options

Proposed Lamp / Ballast System	Lamp Quantity & Type	Mean Lumens Per Lamp	Mean Lumens Per Fixture	Ballast Factor	Net Lumens Per Fixture	Input Watts	Net Lumens Per Watt
2L32-T8-LP Elec	2 F32T8/841	2,800	5,600	0.77	4,312	48	90
2L32-T8-MP Elec	2 F32T8/841	2,800	5,600	0.87	4,872	53	92
2L32T8-HP Elec	2 F32T8/841	2,800	5,600	1.15	6,440	73	88
3L32-T8-LP Elec	3 F32T8/841	2,800	8,400	0.77	6,468	72	90
3L32-T8-MP Elec	3 F32T8/841	2,800	8,400	0.87	7,308	80	91
3L32T8-HP Elec	3 F32T8/841	2,800	8,400	1.15	9,660	109	89
4L32T8-HP Elec	4 F32T8/841	2,800	11,200	1.15	12,880	147	88
4L32-T8-MP Elec	4 F32T8/841	2,800	11,200	0.87	9,744	107	91
4L32-T8-LP Elec	4 F32T8/841	2,800	11,200	0.77	8,624	96	90
6L32T8-LP Elec	6 F32T8/841	2,800	16,800	0.77	12,936	144	90
6L32T8-MP Elec	6 F32T8/841	2,800	16,800	0.87	14,616	160	91
6L32T8-HP Elec	6 F32T8/841	2,800	16,800	1.15	19,320	230	84

General Notes

- Lamp/ballast system values shown are a general reference intended to supply a quick comparison of several common lamp/ballast systems, the associated energy consumption, and net lumen output.
- Values shown are based on normal operating temperatures and at 277 volts.
- Fixture efficiency percentages are generally representative of each system type, actual values will vary.
- There are many operating variables that affect system output, in addition to rating variances from brand to brand.
- All T8 electronic ballast values shown are based on Ultra Efficient (aka 3rd Generation) T8 ballasts.
- All T5 and T8 lamp values shown are for basic grade lamps. Extended life and higher lumen lamps types are available.
- In addition to those shown there are a wide variety of systems to choose from, each with distinct features and cost points.
- Please consult the lamp/ballast manufacturer's catalogs for the detailed information required to model your system.