

## WPF – Mini CFL Wall Pack

➤ Retail, Education and Business Campuses are full of 50-250 watt HID Wall Packs and Floods.

- CFL light sources have come a long way from the early days of short life, hard to order lamps and ballasts.
- Today's compact fluorescents feature excellent life, energy efficiency, and are extremely economical.

➤ Due to short burn hours, low cost "offpeak" energy, and rebates focused on "onpeak" loads, ECM's involving higher cost light sources can be undesirable.

- P2 offers CFL solutions that deliver excellent energy & maintenance efficiency, and a positive impact to your relighting project ROI.

➤ P2's CFL Products Provide.....

- A select set of standard, easy to spec CFL luminaires.
- Common lamp ballast systems for ease of maintenance.
- Six lamp-ballast combinations ranging from 29 to 93 system watts and 1,800 to 6,400 lumens.

➤ Why P2? It's Simple. We are focused on supporting your relighting efforts.

- Unlike manufacturers who focus on one light source technology, we focus on a single goal; delivering viable solutions for your projects.
- Contact us for additional information on P2 LED and Linear Fluorescent solutions.

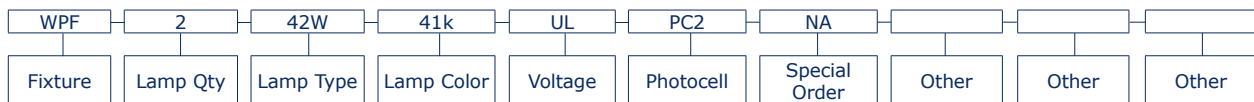
### ➤ WPF – Energy Efficient Mini Wall Pack



### ➤ Application

- Small wall pack for door/entry lighting applications.
- Education, Retail, Commercial and Business applications.
- Applications where energy efficiency and economy are the primary concerns.
- Standard photocell for dusk to dawn operation.

### WPF – 2 – 42W – 41k – UL – PC2 – NA



Fixture Series  
WPF = Mini CFL Wall Pack

Lamp Quantity  
1L = 1 Lamp

Lamp Type  
26W = 26 Watt CFL  
32W = 32 Watt CFL  
42W = 42 Watt CFL  
[For higher wattages see our T5HO Outdoor and LED Products]

Lamp Color  
41k = Standard 41 Kelvin Lamp  
65k = Optional 65 Kelvin Lamp

Voltage  
UL = Universal 120-277v

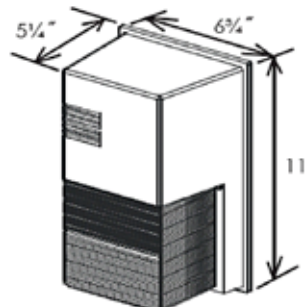
Photocell  
PC1 = 120v Photocell  
PC2 = 277v Photocell

Special Order Lamps/Ballasts  
NA = Standard Cost Electronic Ballast/Lamp  
OS = Osram Sylvania Components  
GE = General Electric Components  
PH = Philips/Advance Components  
ULT = Universal Lighting Tech Ballasts

## WPF – Mini CFL Wall Pack

### Fixture Construction

- Polycarbonate Prismatic Lens
- Aluminum Reflector
- Molded Polycarbonate Housing
- Bronze Powder Coat Finish
- GX24q CFL Base Socket
- Standard Electronic Ballast
- Stocked and supported in the USA.  
Hudson WI, Gainesville FL, Orange County CA.



### Existing Systems

Existing HID System	Lamp Qty & Type	Initial System Lumens	Mean System Lumens	S/P (1) Ratio	S/P (2) Adjusted Lumens	Fixture Input Watts	Lumens (3) Per Watt SP Adjusted	Rated Life (Hours)
Q100T3 Quartz/Halogen	1 Q100T3	1,400	1,358	1.50	1,863	100	19	2,000
Q300T3 Quartz/Halogen	1 Q300T3	5,200	5,044	1.50	6,920	300	23	2,000
HPS-70 Standard	1 HPS70	6,500	5,670	0.62	3,905	91	43	24,000
MH-50 CMH	1 MH-50/4k	3,600	2,450	1.62	3,569	72	50	20,000
MH-70 CMH	1 MH-70/C/4k	5,200	3,640	1.62	5,303	90	59	24,000

### Re-Lighting Option

CFL System Options	Lamp Qty & Type	Initial System Lumens	Mean System Lumens	S/P (1) Ratio	S/P (2) Adjusted Lumens	Fixture Input Watts	Lumens (3) Per Watt SP Adjusted	Rated Life (Hours)
CFL-26w EB [GX24q3 Base]	1 CFL-26/841	1,800	1,530	1.62	2,229	29	77	16,000
CFL-32w EB [GX24q3 Base]	1 CFL-32/841	2,400	2,040	1.62	2,972	36	83	16,000
CFL-42w EB [GX24q4 Base]	1 CFL-42/841	3,200	2,720	1.62	3,963	46	86	16,000
CFL-26w EB [GX24q3 Base] 65k	1 CFL-26/865	1,800	1,530	2.14	2,770	29	96	16,000
CFL-32w EB [GX24q3 Base] 65k	1 CFL-32/865	2,400	2,040	2.14	3,693	36	103	16,000
CFL-42w EB [GX24q4 Base] 65k	1 CFL-42/865	3,200	2,720	2.14	4,924	46	107	16,000

#### Numeric Footnotes

- (1) S/P Ratio = Scotopic to Photopic Lumens
- (2) SP Adjusted Lumens = Mean Lumens x (S/P).78 [.78 exponent]
- (3) Lumens Per Watt = S/P Adjusted Lumens / Fixture Input Watts