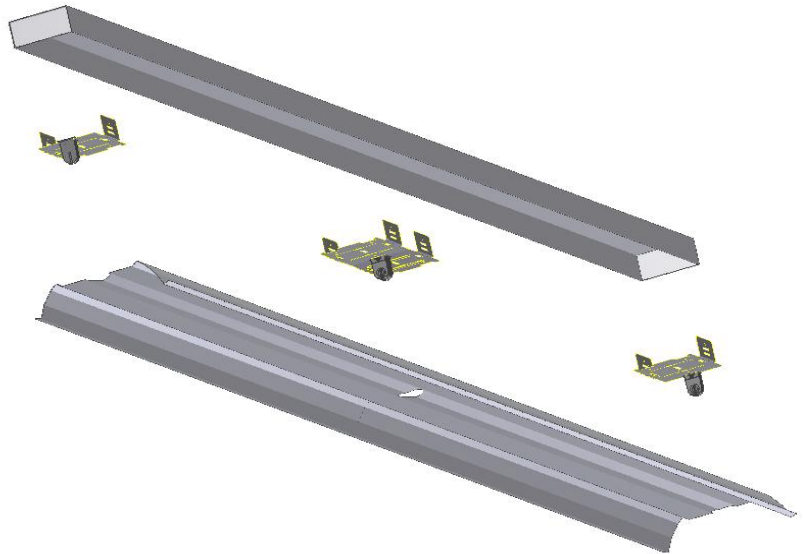


**Warnings and Safety Information—Please read carefully!**

- Risk of fire and/or electric shock. This product is to be installed by a qualified electrician only. Reflector kit installation requires knowledge of fluorescent lighting luminaire electrical systems. Do not attempt if unqualified.
- This kit is to be installed only in fixtures with construction features consistent with drawings on this sheet.
- Luminaire wiring, ballast or other electrical parts may be damaged when drilling for installation of reflector kit hardware. Check for concealed wiring and components prior to drilling.
- Do not expose wiring to sheet metal edges or other sharp objects to prevent damage.
- If supply wires are located within 3" of the ballast, use feed wire suitable for at least 90°C.
- Install in accordance with all national and local electrical codes. Manufacturer assumes no responsibility for the improper installation or application of this kit.
- Contact the manufacturer for any questions or concerns regarding installation of this kit.

**Included Materials**

- A: (2) 4' Optimized Reflectors
  - A.1: (1) Reflector alignment clips
- B: (4) Adjustable universal socket brackets
- C: (8) T8 sockets (or 4 if 2-lamp kit)
- D: Electronic fluorescent ballast
- E: (4) Quarter Turn fasteners
- F: (8) Self Tapping Tek Screws
- G: (4) F32T8 Lamps (Optional)



**Installation Instructions**

- 1: To avoid the possibility of electrical shock turn off power supply before installation or servicing of this kit.
- 2: Remove lamps, ballast covers, old ballast and sockets from the existing fixture.
- 3: Install ballast and wire to sockets.
- 4: Snap sockets into universal socket brackets.
- 5: Using provided tek screws, attach universal socket brackets to strip body.
- 6: Wire ballast to incoming power.
- 7: Using supplied quarter turns, attach reflector to universal socket brackets.
- 8: Install lamps and return power to the fixture.

