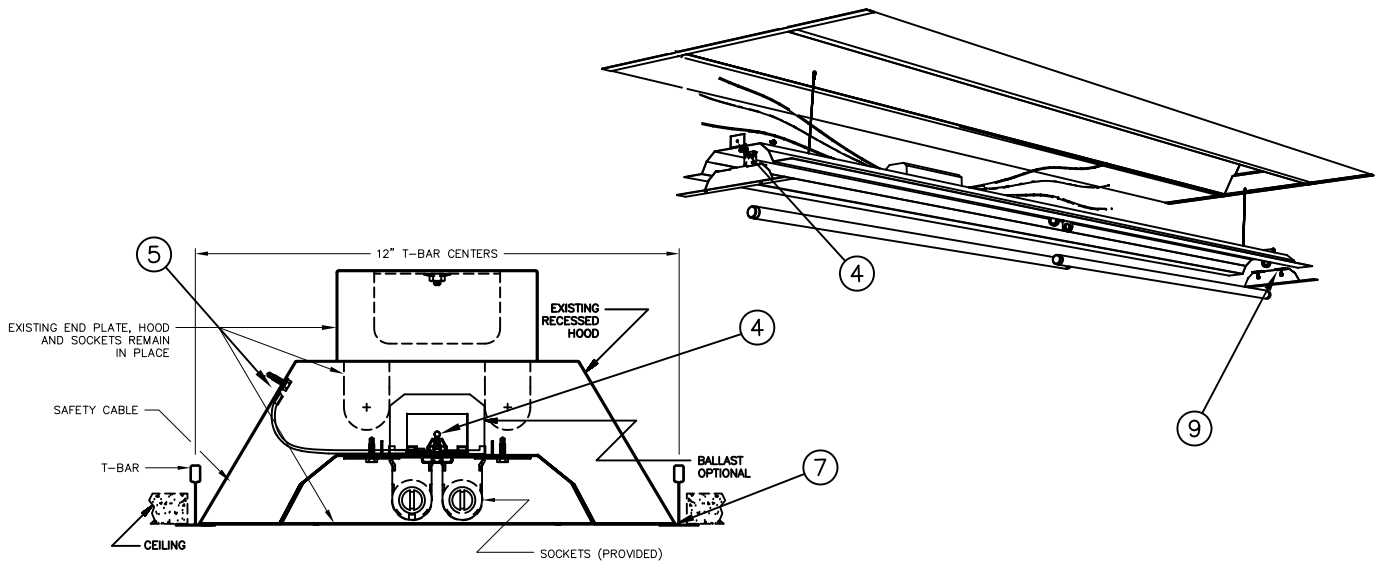


CKU-RR-TEP RETROFIT KIT INSTALLATION INSTRUCTIONS



- STEP 1 TO AVOID THE POSSIBILITY OF ELECTRICAL SHOCK, TURN OFF POWER SUPPLY BEFORE INSTALLATION OR SERVICING.
- STEP 2 DISCONNECT POWER FROM BALLAST
- STEP 3 REMOVE AND DISCARD EXISTING LAMPS AND SOCKETS EXISTING HOUSING TO REMAIN
- STEP 4 INSTALL NEW MOUNTING BRACKETS INTO THE ENDS OF THE EXISTING TROFFER WITH TEK SCREWS MOUNTING HOLE SHOULD BE APPROX. 2.25" FROM BOTTOM
- STEP 5 MOUNT SAFETY CABLES TO THE EXISTING TROFFER WITH TEK SCREWS.
- STEP 6 MAKE POWER CONNECTIONS TO THE KIT
- STEP 7 TUCK THE EDGE OF THE REFLECTOR INTO THE T-BAR GRID
- STEP 8 LEVEL THE REFLECTOR BY INSTALLING THE QUARTER TURNS THROUGH THE REFLECTOR AND INTO THE PREVIOUSLY INSTALLED MOUNTING BRACKETS
- STEP 9 INSTALL THE END PLATES INTO THE T-BAR GRID. USE TEK SCREWS TO MOUNT THE END PLATES INTO THE REFLECTOR
- STEP 10 PLACE LAMPS INTO THE KIT AND RESTORE POWER

Precision
Energy Efficient Lighting

23281 La Palma Ave.
Yorba Linda, CA 92887
TEL: (714) 386-5550
FAX: (714) 386-5649
info@precisionfluorescent.com

317 N.E. 35th Ave.
Gainesville, Florida
TEL: (352) 692-5900
FAX: (352) 352-5901

DRAWN BY:

DK

DATE

2/7/2011

DWG. No.

CKU-RR-TEP