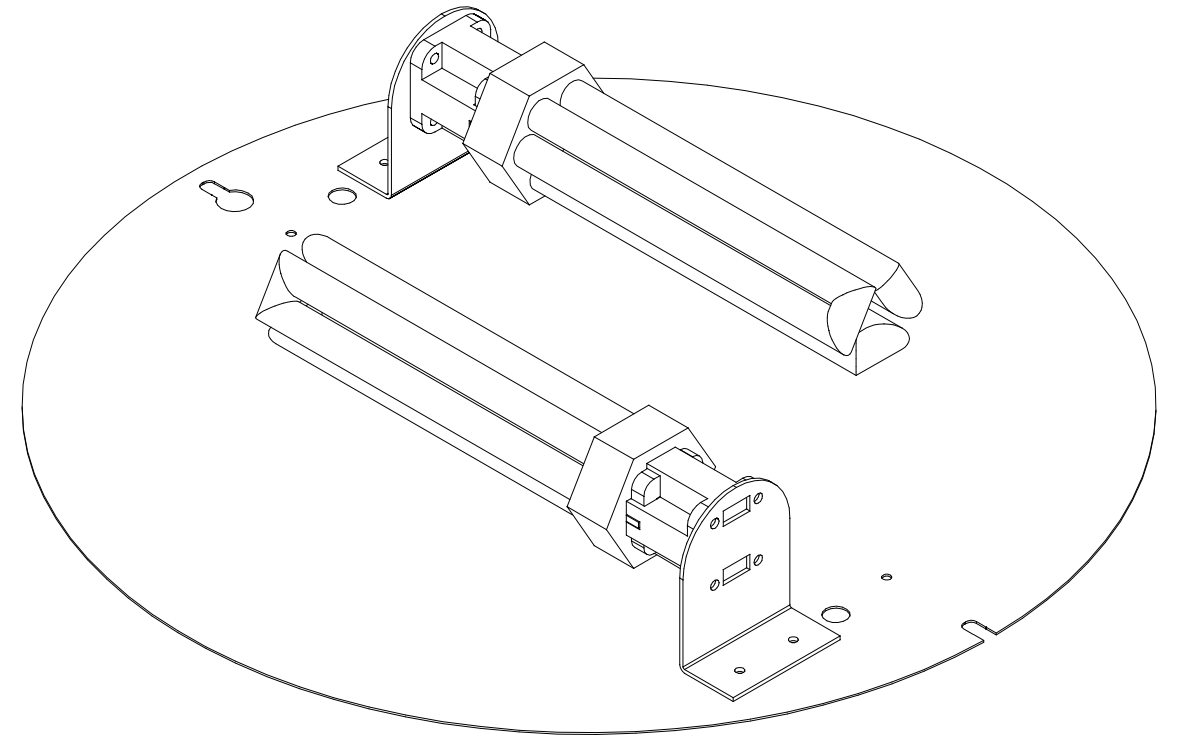
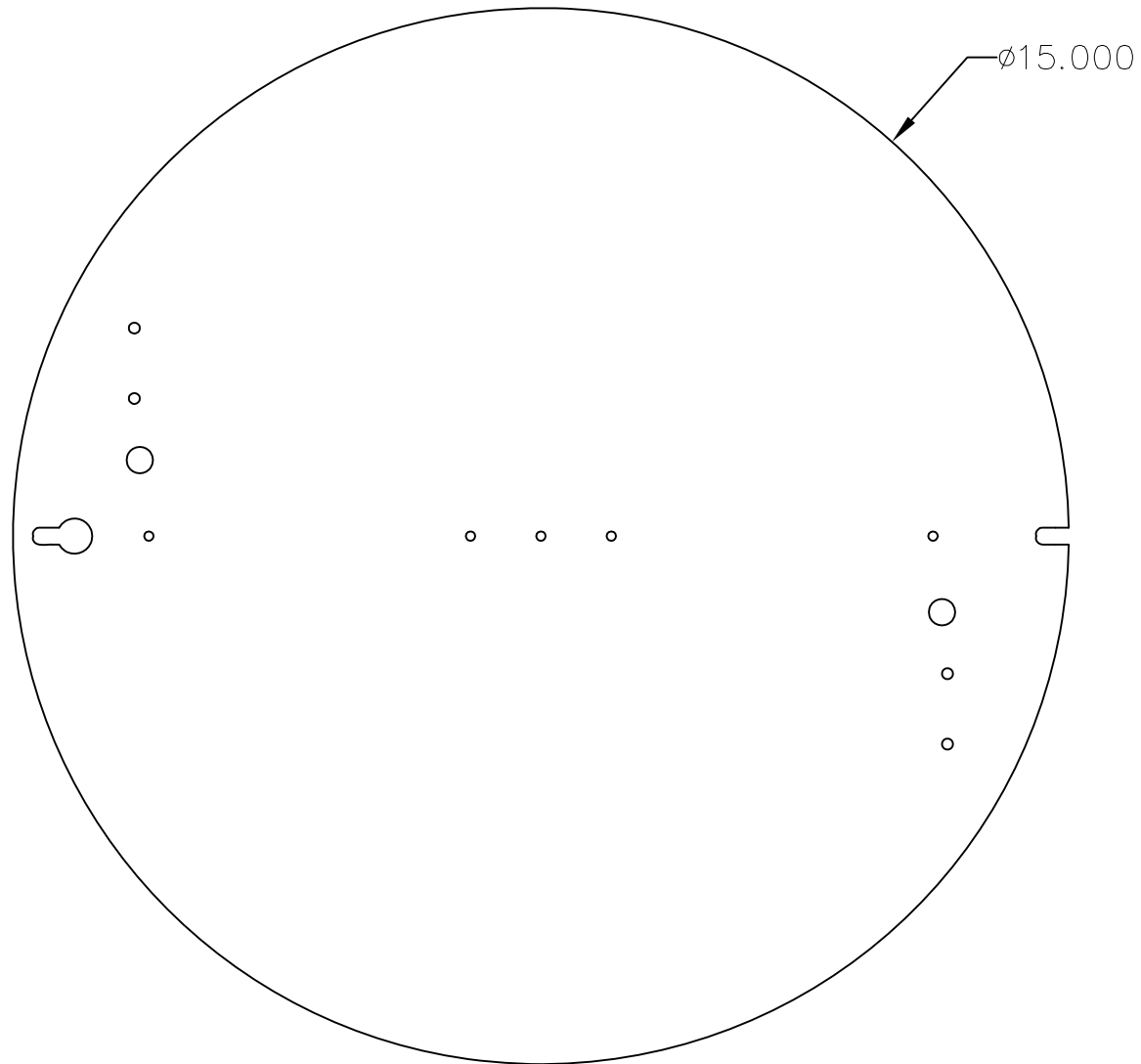


PLAN VIEW

.375" = 1.000



PERSPECTIVE VIEW

N.T.S.

MADE OUT OF 22 GA WPS

23281 LA PALMA AVE  
YORBA LINDA, CA 92887  
TEL: (714 )386-5550  
FAX: (714 )386-5649

317 N.E. 35th AVE.  
GAINESVILLE, FLORIDA  
TEL: (352) 692-5900  
FAX: (352) 352-5901  
info@precisionfluorescent.com

DRAWN BY:  
R.Hidalgo

DATE:  
01/12/2010

CHECKED BY:

APPROVED BY:

PROJECT:  
N/A

REVISION:

**PRECISION** lighting

DRAWING OR  
PART #:

ETO-RND-57-WTS

ETO SERIES