

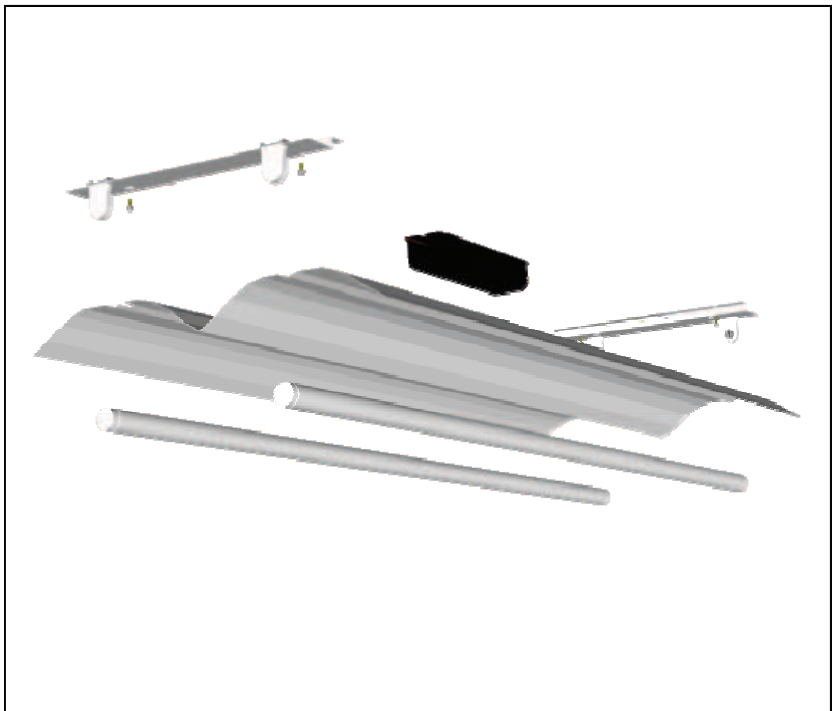
Warnings and Safety Information—Please read carefully!

- Risk of fire and/or electric shock. This product is to be installed by a qualified electrician only. Reflector kit installation requires knowledge of fluorescent lighting luminaire electrical systems. Do not attempt if unqualified.
- This kit is to be installed only in fixtures with construction features consistent with drawings on this sheet.
- Luminaire wiring, ballast or other electrical parts may be damaged when drilling for installation of reflector kit hardware. Check for concealed wiring and components prior to drilling.
- Do not expose wiring to sheet metal edges or other sharp objects to prevent damage.
- If supply wires are located within 3" of the ballast, use feed wire suitable for at least 90°C.
- Install in accordance with all national and local electrical codes. Manufacturer assumes no responsibility for the improper installation or application of this kit.
- Contact the manufacturer for any questions or concerns regarding installation of this kit.

Included Materials

- A: (1) Shallow Snap-In Reflector
- B: (2) End Brackets/Socket Bars
- C: (4) T8 Shunted sockets (Standard)
- D: (4) Self Tapping Tek Screws
- E: (1) Ballast (Optional)
- F: (1) Ballast Disconnect (Optional)
- G: (2) F17T8 Lamps (Optional)

*Quantities are per kit. See Fig. 1.1.



Installation Instructions

- 1: To avoid the possibility of electrical shock turn off power supply before installation or servicing of this kit.
- 2: Disconnect power from the existing ballast and remove. Remove lamps, ballast covers, socket bars (brackets), and sockets from the existing fixture.
- 3: Install ballast in the center of the fixture parallel to the lamps. Wire ballast to provided sockets. See wiring diagram on ballasts for more information.
- 4: Slide sockets (wired to ballast) onto the end brackets. Using provided Tek screws, install end brackets flush to the existing fixture's end plates.
- 5: Squeeze reflector and slide tabs on brackets through the holes in the reflector.

