

TKP – Troffer Conversion Kit

Standard Troffer Conversion Kit

- Today's CRT based office environments require far lower ambient light levels than the paper based office environments of the past.
- Older 4-Lamp and 3-Lamp T12 Troffers are often light traps by design.
- Order with step-dim ballast and GTS for instant Hi-Lo Controls.
- Our standard 2-lamp T8 reflector turns a thirty year old T12 Troffer into a modern energy efficient luminaire.
- Convert instead of replacing fixtures on your relighting project; Lower cost, easier labor, no landfill of old fixture body.

The P2 Guarantee

- Buy our standard shallow White Aluminum Troffer reflector for 100% of your project.
- For any fixtures that the TKP does not fit, we will manufacture custom conversion kits to replace them or restock the reflectors with no restocking charge.

Why P2? It's Simple, Our Experience

- We've been focused on nothing but supporting energy efficient re-lighting projects since 1992. Hit a dead end? Give our application support team a try.

TKP – Standard Conversion Kit for Shallow Prismatic or Deep Cell Parabolic Troffers



Kit Includes

- (1) Shallow Snap-In Reflector.
- (2) Socket Bars
- (4) Sockets
- (4) Self Tapping Tech Screws
- Optional Ballast Disconnect
- Optional Ballast
- Optional Lamps
- (1) P2 Guarantee

TKP – 2x4 – 2L – WA – TM – S8S – UL1 – MP – UE – IS – IL

TKP	2x4	2L	WA	TM	S8S	UL1	MP	UE	IS	IL
Model	Fixt Size	Lamp Quantity	Reflector Type	Bracket Type	Socket Type	Voltage	Ballast Factor	T8 Ballast Grade	Ballast Starting	Other

Standard Callouts

Fixture Series

TKP = Standard Troffer Kit

Fixture Size

2X4 = 2x4 Nominal

Lamp Quantity

2L = 2 Lamps
3L = 3 Lamps

Reflector Type

WA = White Aluminum Reflector 90-91%
EA = Enhanced Aluminum Specular Reflector 93-94%

Bracket Type

TM = Top Mount Only
ETM = End and Top Mount

Socket Type

S8M = Shunted for Instant Start, T8, Med Socket
N8M = Non-Shunted for Rapid Start, T8, Med Socket

Numeric Footnote

- (1) Ballast factors outside listed ranges are to be called out numerically
- (2) Can only be used in conjunction with a step dim ballast or 2 standard ballasts

Ballast Options

Voltage

UL1 = Universal 120-277

Ballast Factor (2)

LP = Low Power (.75 - .78)
MP = Mid Power (.85 - .88)
MN = Neutral Power (.97 - 1.04)
HP = High Power (1.15 - 1.20)

T8 Ballast Grade

ST = Standard Grade
UE = Ultra Efficient T8

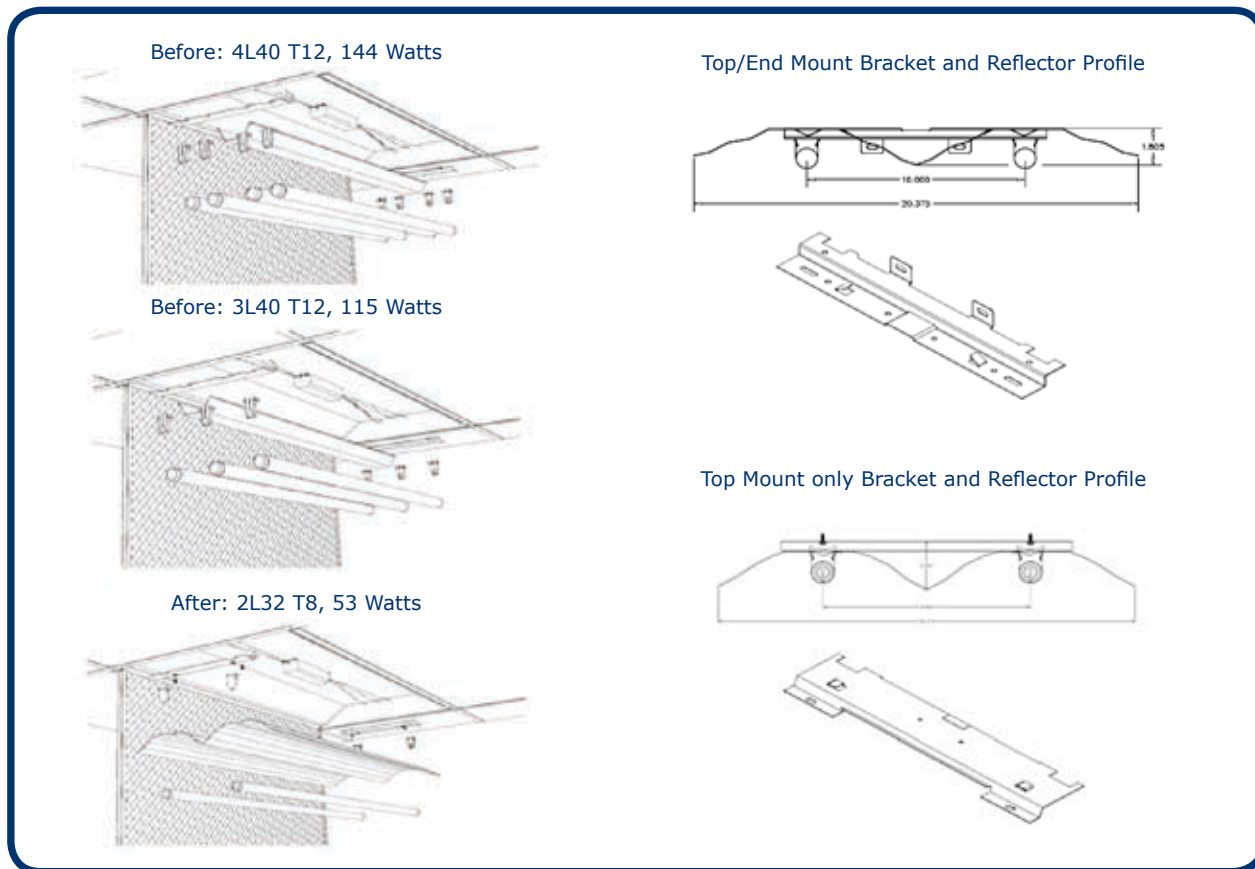
Ballast Starting Method

PS = Rapid/Programmed Start
IS = Instant Start

Other

IL = In-Line Ballast Disconnect
GTS = Hi-Lo Control Circuit Toggle Switch (2)

TKP – Troffer Conversion Kit



Existing System

Existing Lamp / Ballast System	Lamp Quantity & Type	Mean Lumens Per Lamp	Mean Lumens Per Fixture	Ballast Factor	Net Lumens Per Fixture	Input Watts	Net Lumens Per Watt
3L40-T12 Mag	3 F40/T12/WM	2,280	6,840	0.88	6,019	115	52
4L40-T12 Mag	4 F40/T12/WM	2,280	9,120	0.88	8,026	144	56
3L32-T8-MP Elec	3 F32T8/741	2,660	7,980	0.87	6,943	80	87
4L32-T8-MP Elec	4 F32T8/741	2,660	10,640	0.87	9,257	107	87

Re-Lighting Options

Proposed Lamp / Ballast System	Lamp Quantity & Type	Mean Lumens Per Lamp	Mean Lumens Per Fixture	Ballast Factor	Net Lumens Per Fixture	Input Watts	Net Lumens Per Watt
2L28-T5 Elec	2 F28T5/841	2,418	4,836	1.00	4,836	63	77
2L32-T8-LP Elec	2 F32T8/741	2,660	5,320	0.77	4,096	48	85
2L32-T8-MP Elec	2 F32T8/741	2,660	5,320	0.87	4,628	53	87
2L32-T8-MN Elec	2 F32T8/741	2,660	5,320	1.04	5,533	64	86
2L32T8-HP Elec	2 F32T8/741	2,660	5,320	1.15	6,118	73	84
2L32-T8-LP Elec	2 F32T8/841	2,800	5,600	0.77	4,312	48	90
2L32-T8-MP Elec	2 F32T8/841	2,800	5,600	0.87	4,872	53	92
2L32-T8-MN Elec	2 F32T8/841	2,800	5,600	1.04	5,824	64	91
2L32T8-HP Elec	2 F32T8/841	2,800	5,600	1.15	6,440	73	88

General Notes

- Lamp/ballast system values shown are a general reference intended to supply a quick comparison of several common lamp/ballast systems, the associated energy consumption, and net lumen output.
- Fixture efficiencies and layout are not comprehended in the table, but will determine the usefulness of the system.
- Values shown are based on normal operating temperatures and at 277 volts.
- There are many operating variables that affect system output, in addition to rating variances from brand to brand.
- All T8 electronic ballast values shown are based on Ultra Efficient (aka 3rd Generation) T8 ballasts.
- All T5 and T8 lamp values shown are for basic grade lamps. Extended life and higher lumen lamps types are available.
- In addition to those shown there are a wide variety of systems to choose from, each with distinct features and cost points.
- Please consult the lamp/ballast manufacturer's catalogs for the detailed information required to model your system.