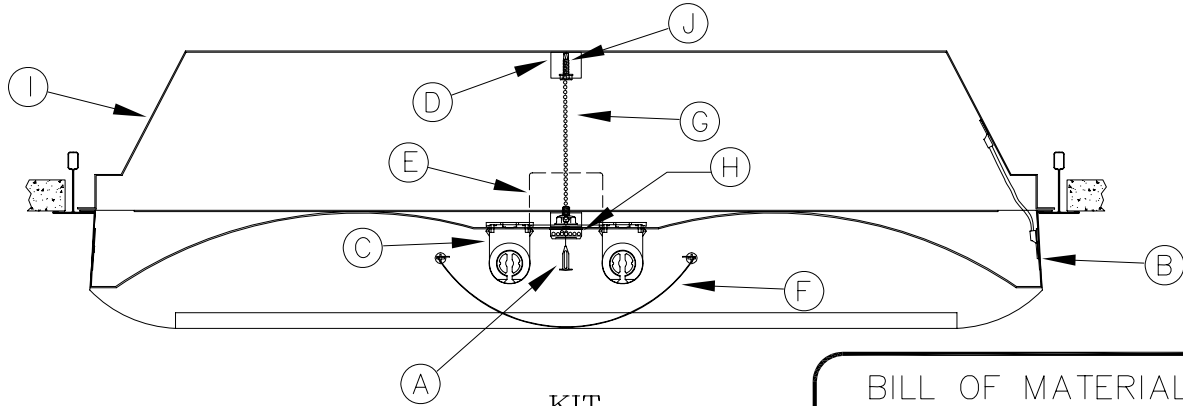
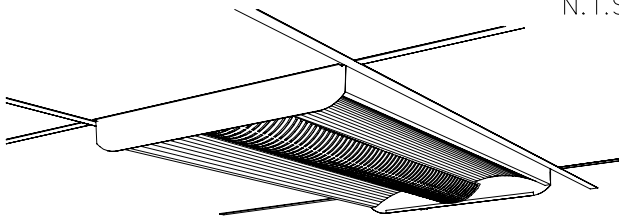


DID SM RETROFIT KIT INSTALLATION INSTRUCTIONS



KIT
CROSS SECTION

N.T.S.



KIT
CROSS SECTION

N.T.S.

BILL OF MATERIAL

SYM	DESCRIPTION	QTY.
A	BALL CHAIN PIN	SEE ORDER
B	BALLAST COVER/REFLECTOR	SEE ORDER
C	T8-SOCKET (PROVIDED)	SEE ORDER
D	MOUNTING BRACKET (PROVIDED)	SEE ORDER
E	BALLAST (OPTIONAL)	SEE ORDER
F	FACIA	
G	BALL CHAIN (PROVIDED)	SEE ORDER
H	BALL CHAIN CAP (PROVIDED)	SEE ORDER
J	TEK SCREWS (PROVIDED)	
I	EXISTING TROFFER	

*WARNING: *

RISK OF FIRE AND/OR ELECTRIC SHOCK. THIS PRODUCT IS TO BE INSTALLED BY A QUALIFIED ELECTRICIAN ONLY. REFLECTOR KIT INSTALLATION REQUIRES KNOWLEDGE OF FLUORESCENT LIGHTING LUMINAIRES ELECTRICAL SYSTEMS. IF NOT QUALIFIED DO NOT ATTEMPT.

INSTALL THIS KIT ONLY IN THE LUMINAIRES THAT HAS THE CONSTRUCTION FEATURES AND DIMENSIONS SHOWN IN THE PHOTOGRAPHS AND/OR DRAWINGS

ONLY THOSE OPEN HOLES INDICATED IN THE PHOTOGRAPHS AND/OR DRAWINGS MAY BE MADE OR ALTERED AS A RESULT OF KIT INSTALLATION. DO NOT LEAVE ANY OTHER OPEN HOLES IN AN ENCLOSURE OF WIRING OR ELECTRICAL COMPONENTS.

LUMINAIRE WIRING, BALLAST OR OTHER ELECTRICAL PARTS MAY BE DAMAGED WHEN DRILLING FOR INSTALLATION OF REFLECTOR KIT HARDWARE. CHECK FOR ENCLOSED WIRING AND COMPONENTS.

TO PREVENT WIRING DAMAGE OR ABRASION DO NOT EXPOSE WIRING TO EDGES OF SHEET METAL OR OTHER SHARP OBJECTS.

INSTALL IN ACCORDANCE WITH NATIONAL AND LOCAL ELECTRICAL CODE.

IF THERE ARE ANY QUESTIONS OR CONCERNS REGARDING THE INSTALLATION OF THE KIT, PLEASE CONTACT THE MANUFACTURER FOR CLARIFICATION OR CORRECTION

**Precision
fluorescent**

4050 W.Chandler Ave
Santa Ana, CA 92704
TEL: (714)434-0555
FAX: (714)434-6555

317 N.E. 35th Ave.
Gainesville, Florida
TEL: (352) 692-5900
FAX: (352) 352-5901

info@precisionfluorescent.com

DRAWN BY:

D. KIM

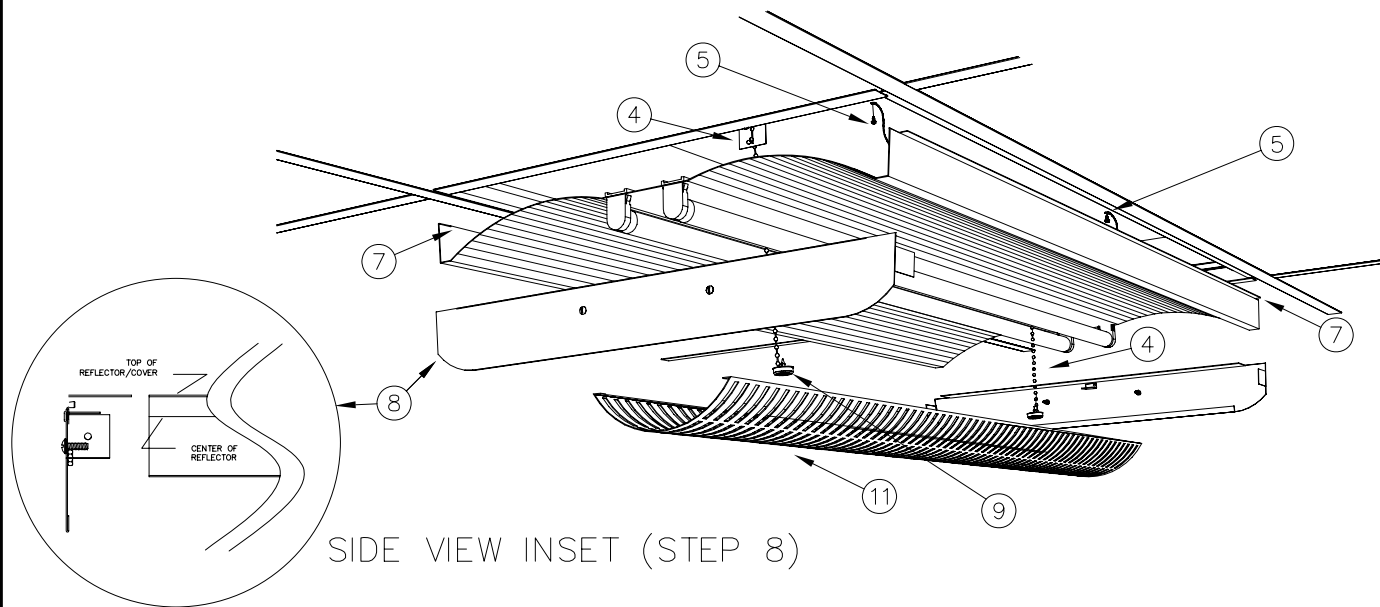
DATE

6/7/07

DWG. No.

DIDS-2X4-2L32

DID-SM RETROFIT KIT INSTALLATION INSTRUCTIONS



SIDE VIEW INSET (STEP 8)

- STEP ① TO AVOID THE POSSIBILITY OF ELECTRICAL SHOCK, TURN OFF POWER SUPPLY BEFORE INSTALLATION OR SERVICING.
- STEP ② DISCONNECT POWER FROM BALLAST AND REMOVE BALLAST, SOCKETS AND WIRING FROM FIXTURE.
- STEP ③ REMOVE AND DISCARD EXISTING LAMPS, BALLAST COVERS, AND SOCKET BARS FROM EXISTING FIXTURE.
- STEP ④ INSTALL NEW MOUNTING BRACKETS 10" FROM EACH END OF FIXTURE AND 12" OFF CENTER OF FIXTURE WITH TEK SCREWS (PROVIDED).
- STEP ⑤ SCREW SAFETY CABLE TO EXISTING FIXTURE AS SHOWN AND INSERT END OF BALL CHAIN THROUGH MOUNTING BRACKET AND COVER.
- STEP ⑥ RE-CONNECT BALLAST POWER LEADS, BUT DO NOT RESTORE POWER
- STEP ⑦ PLACE TABS OF COVER/REFLECTOR UNDER EXISTING TROFFER AND ABOVE T-BAR IN CEILING. PULL BALL CHAINS THROUGH COVER AND TIGHTEN SLIGHTLY
- STEP ⑦ PLACE END PLATES ON COVER, WITH REFLECTOR LOCATED BETWEEN TABS AND FACIA SUPPORT SCREWS ON ENDPLATE
- STEP ⑧ TIGHTEN BALLCHAIN UNTIL REFLECTOR IS PRESSED AGAINST ENDPLATE TABS
- STEP ⑨ PUSH PIN THROUGH CAP AND THEN THROUGH HOLE IN COVER ALLOWING BALL AND CHAIN TO WIND AROUND PIN IN CAP
- STEP ⑩ PEEL PVC FILM FROM BALLAST COVER AND INSTALL LAMPS
- STEP ⑪ INSTALL FACIA TO COMPLETE

**Precision
fluorescent**

4050 W. Chandler Ave 317 N.E. 35th Ave.
 Santa Ana, CA 92704 Gainesville, Florida
 TEL: (714)434-0555 TEL: (352) 692-5900
 FAX: (714)434-6555 FAX: (352) 352-5901
info@precisionfluorescent.com

DRAWN BY:	DATE
D. KIM	6/7/07
DWG. No.	
DIDS-2X4-2L32	