

## TKT – Full Distribution Troffer Conversion

### Convert Full Cutoff 3-Lamp Parabolic Troffers to Full Distribution 2-Lamp Troffers.

- Older 3-Lamp, Full Cutoff, Deep Cell Specular Louvered Troffer systems were designed with 1st generation CRT and Monitor glare management in mind.
- CRT technology has changed, and the aesthetic paradigm has evolved. Today's office environments often require full distribution lighting, updated aesthetics, and maximum energy efficiency.
- The TKT system will convert a thirty year old T12 or even a five year old T8 Parabolic Troffer, with 3-lamp cross section, to modern 2-lamp Full Distribution system utilizing the latest electronic ballast technology.

### Convert instead of replacing fixtures on your re-lighting project;

- Lower cost...
- Reduced labor...
- No landfill of old fixture body.
- Order with step-dim ballast and GTS for instant Hi-Lo Controls.

### Why P2? It's Simple, Our Experience

- We've been focused on nothing but supporting energy efficient re-lighting projects since 1992. Hit a dead end? Give our application support team a try.

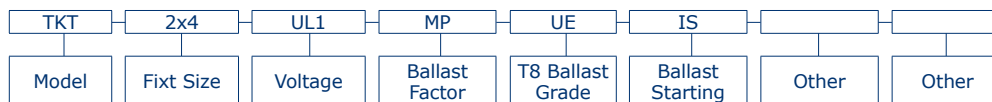
### TKT -Conversion Kit



### Kit Includes

- (1) New Fixture Liner
- (1) New Louver Assembly
- (2) Socket Bars
- (4) Sockets
- (4) Self Tapping Tech Screws
- (1) Electronic Ballast
- (1) Ballast Disconnect
- (1) Installation Instructions
- T8 Lamps Optional

### TKT – 2x4 – UL1 – MP – UE – IS



#### Fixture Series

TKT = Standard Troffer Kit

#### Fixture Size

2X4 = 2x4 Nominal  
2X2 = 2x2 Nominal (2)

#### Voltage

UL1 = Universal 120-277

#### Ballast Factor (1)

LP = Low Power (.75 - .78)  
MP = Mid Power (.85 - .88)  
MN = Neutral Power (.97 - 1.04)  
HP = High Power (1.15 - 1.20)

#### T8 Ballast Grade

ST = Standard Grade  
UE = Ultra Efficient T8

#### Ballast Starting Method

PS = Rapid/Programmed Start  
IS = Instant Start  
PVD = Program Start  
0-10v Variable Dim

#### Other

GTS = Hi-Lo Control Single  
Circuit Toggle Switch (3)

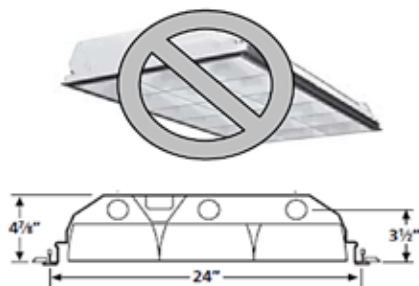
#### Numeric Footnotes

- (1) Ballast factors outside ranges shown to be called out numerically.
- (2) Contact factory for ordering assistance
- (3) Can only be used in conjunction with a step dim ballast or 2 standard ballasts

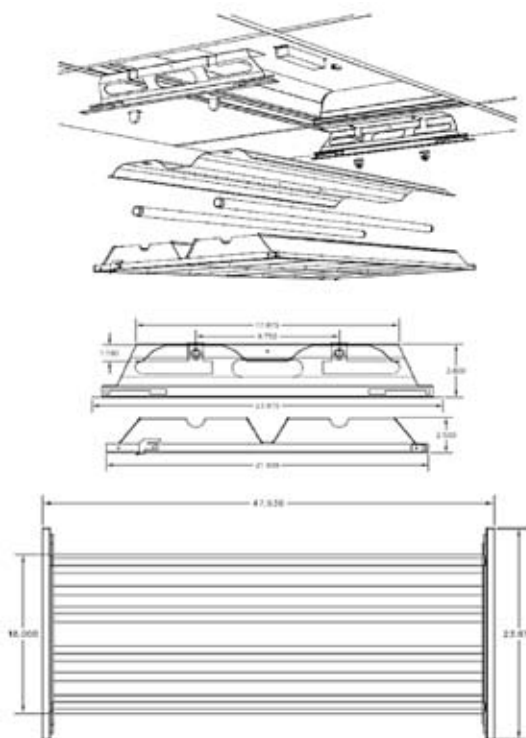
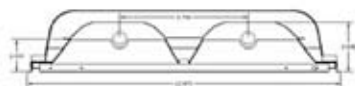
## TKT – Full Distribution Troffer Conversion

### Conversion Example

Before: 3L40 T12, 115 Watts  
Full Cutoff



After: 2L32 T8, 53 Watts  
Full Distribution



### Existing System

Existing Lamp / Ballast System	Lamp Quantity & Type	Mean Lumens Per Lamp	Mean Lumens Per Fixture	Ballast Factor	Net Lumens Per Fixture	Input Watts	Net Lumens Per Watt
3L40-T12 Mag	3 F40/T12/WM	2,280	6,840	0.88	6,019	115	52
3L32-T8-MP Elec	3 F32T8/741	2,660	7,980	0.87	6,943	80	87

### Re-Lighting Options

Proposed Lamp / Ballast System	Lamp Quantity & Type	Mean Lumens Per Lamp	Mean Lumens Per Fixture	Ballast Factor	Net Lumens Per Fixture	Input Watts	Net Lumens Per Watt
2L32-T8-LP Elec	2 F32T8/741	2,660	5,320	0.77	4,096	48	85
2L32-T8-MP Elec	2 F32T8/741	2,660	5,320	0.87	4,628	53	87
2L32-T8-MN Elec	2 F32T8/741	2,660	5,320	1.04	5,533	64	86
2L32T8-HP Elec	2 F32T8/741	2,660	5,320	1.15	6,118	73	84
2L32-T8-LP Elec	2 F32T8/841	2,800	5,600	0.77	4,312	48	90
2L32-T8-MP Elec	2 F32T8/841	2,800	5,600	0.87	4,872	53	92
2L32-T8-MN Elec	2 F32T8/841	2,800	5,600	1.04	5,824	64	91
2L32T8-HP Elec	2 F32T8/841	2,800	5,600	1.15	6,440	73	88

### General Notes

- Lamp/ballast system values shown are a general reference intended to supply a quick comparison of several common lamp/ballast systems, the associated energy consumption, and net lumen output.
- Fixture efficiencies and layout are not comprehended in the table, but will determine the usefulness of the system.
- Values shown are based on normal operating temperatures (25c T8 and 35c T5) and at 277 volts.
- There are many operating variables that affect system output, in addition to rating variances from brand to brand.
- All T8 electronic ballast values shown are based on Ultra Efficient (aka 3rd Generation) T8 ballasts.
- All T8 lamp values shown are for basic grade lamps. Extended life and higher lumen lamps types are available.
- In addition to those shown there are a wide variety of systems to choose from, each with distinct features and cost points.
- Please consult the lamp/ballast manufacturer's catalogs for the detailed information required to model your system.