

TKU – 2x2 Troffer Conversion Kit

- Eliminate Costly U-Lamps**
 - U-Lamp 2x2s are often building maintenance's worst nightmare, composing 10% of the fixtures and 90% of the work. The TKU will ease the pain of maintenance and reduce costs.
 - Have a building full of U-Lamps? Utilizing our TKU will turn a maintenance headache into a happy and grateful customer.
 - Order with step-dim ballast and GTS for instant Hi-Lo Controls.
 - Our 2x2 reflector turns a thirty year old T12 ULamp Troffer into a modern energy efficient luminaire.
 - Convert instead of replacing fixtures on your relighting project; Lower cost, easier labor, no landfill of old fixture body.

- The P2 Guarantee**
 - Buy our standard shallow White Aluminum Troffer reflector for 100% of your project.
 - For any fixtures that the TKU does not fit, we will manufacture custom conversion kits to replace them or restock the reflectors with no restocking charge.

- Why P2? It's Simple, Our Experience**
 - P2 always recommends field measuring U-lamp fixtures for dimensional considerations. Not all ULamp 2x2s accommodate F17 T8 lamps.

TKU – Standard 2x2 Conversion Kit for Prismatic or Deep Cell Parabolic Troffers



Kit Includes

- (1) Shallow Snap-In Reflector.
- (2) Socket Bars
- (4) Sockets
- (4) Self Tapping Tech Screws
- Optional Ballast Disconnect
- Optional Ballast
- Optional Lamps
- (1) P2 Guarantee

TKU – 2x2 – 2L – WA – TM – S8M – UL1 – MP – UE – IS – IL

TKU	2x2	WA	TM	S8M	UL1	MP	UE	IS	IL
Model	Fixt Size	Reflector Type	Bracket Type	Socket Type	Voltage	Ballast Factor	T8 Ballast Grade	Ballast Starting	Other

Standard Callouts

Fixture Series
TKU = 2X2 Troffer Kit

Fixture Size
2X2 = 2x2 Nominal

Lamp Quantity
2L = 2 Lamps
3L + 3 Lamps

Reflector Type
WA = White Aluminum Reflector 90-91%
EA = Enhanced Aluminum Specular Reflector 93-94%

Bracket Type
TM = Top Mount Only
ETM = End and Top Mount

Socket Type
S8M = Shunted for Instant Start, T8, Med Socket
N8M = Non-Shunted for Rapid Start, T8, Med Socket

Numeric Footnote
(1) Can only be used in conjunction with a step dim ballast or 2 standard ballasts

Ballast Options

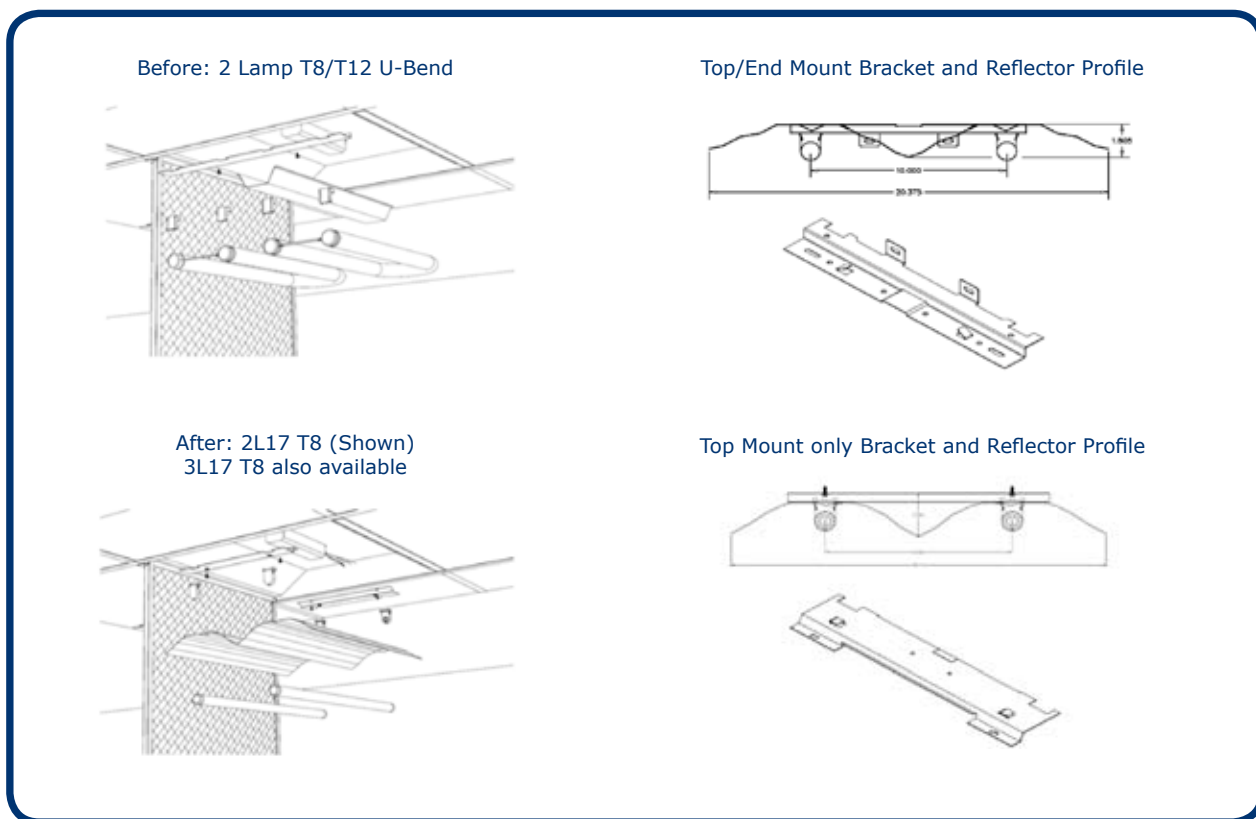
Voltage
UL1 = Universal 120-277
Ballast Factor (2)
LP = Low Power (.75 - .78)
MP = Mid Power (.85 - .88)
MN = Neutral Power (.97 - 1.04)
HP = High Power (1.15 - 1.20)

T8 Ballast Grade
ST = Standard Grade
UE = Ultra Efficient T8

Ballast Starting Method
PS = Rapid/Programmed Start
IS = Instant Start

Other
IL = In-Line Ballast Disconnect
GTS = Hi-Lo Control Single Circuit Toggle Switch (1)

TKU – 2x2 Troffer Conversion Kit



Existing System

Existing Lamp / Ballast System	Lamp Quantity & Type	Mean Lumens Per Lamp	Mean Lumens Per Fixture	Ballast Factor	Net Lumens Per Fixture	Input Watts	Net Lumens Per Watt
2L40-T12-U6 Mag	2 F40/T12/U6/WM	2,280	4,560	0.88	4,013	72	56
2L32T8/U6-MP Elec	2 FB032/741/6	2,750	5,500	0.87	4,785	53	90

Re-Lighting Options

Proposed Lamp / Ballast System	Lamp Quantity & Type	Mean Lumens Per Lamp	Mean Lumens Per Fixture	Ballast Factor	Net Lumens Per Fixture	Input Watts	Net Lumens Per Watt
2L17-T8-LP Elec	2 F17T8/841	1,300	2,600	0.80	2,080	27	77
3L17-T8-LP Elec	3 F17T8/841	1,300	3,900	0.81	3,159	40	79
2L17-T8-MP Elec	2 F17T8/841	1,300	2,600	0.90	2,340	31	75
2L17-T8-MP Elec	2 F17T8/841	1,300	2,600	0.90	2,340	31	75
3L17-T8-MP Elec	3 F17T8/841	1,300	3,900	0.90	3,510	45	78
2L17-T8-HP Elec	2 F17T8/841	1,300	2,600	1.23	3,198	41	78
3L17-T8-HP Elec	3 F17T8/841	1,300	3,900	1.22	4,758	59	81

General Notes

- Lamp/ballast system values shown are a general reference intended to supply a quick comparison of several common lamp/ballast systems, the associated energy consumption, and net lumen output.
- Fixture efficiencies and layout are not comprehended in the table, but will determine the usefulness of the system.
- Values shown are based on normal operating temperatures and at 277 volts.
- There are many operating variables that affect system output, in addition to rating variances from brand to brand.
- All T8 electronic ballast values shown are based on Ultra Efficient (aka 3rd Generation) T8 ballasts.
- All T5 and T8 lamp values shown are for basic grade lamps. Extended life and higher lumen lamps types are available.
- In addition to those shown there are a wide variety of systems to choose from, each with distinct features and cost points.
- Please consult the lamp/ballast manufacturer's catalogs for the detailed information required to model your system.