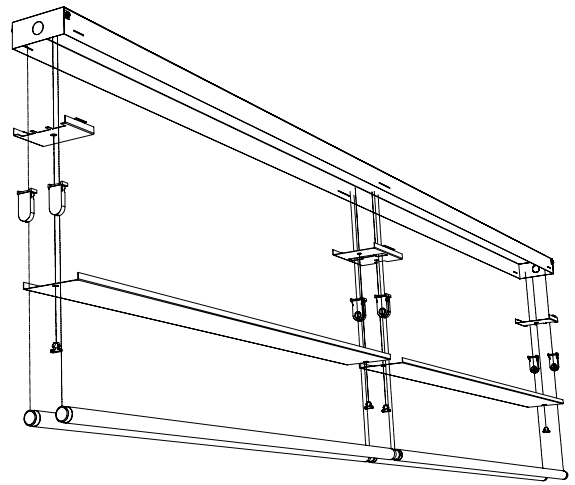
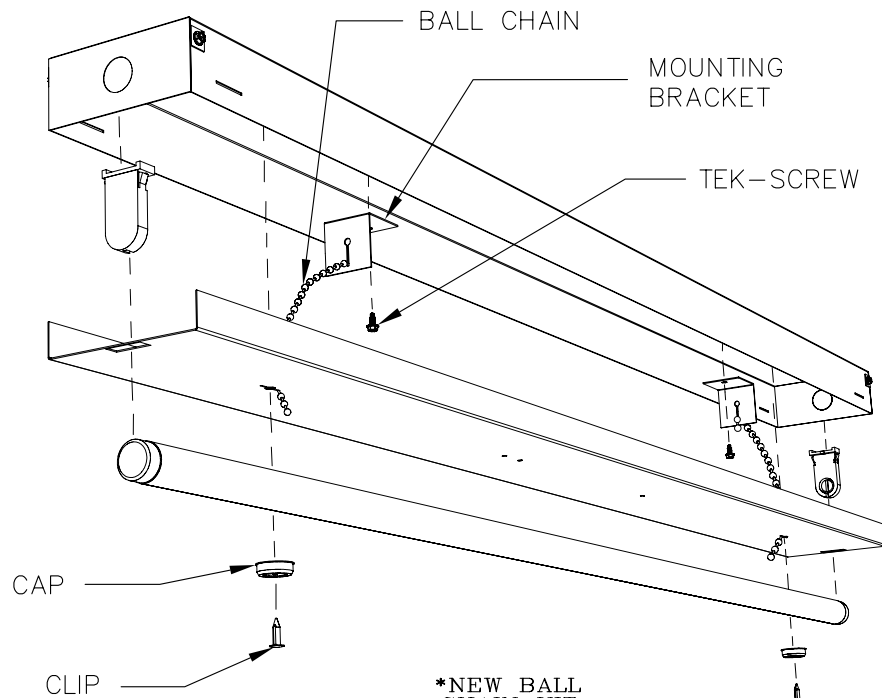


1. TURN OFF ALL ELECTRICAL POWER AT MAIN DISCONNECT PANEL TO ALL FIXTURES BEING WORKED ON.
2. REMOVE EXISTING LAMPS FROM FIXTURE.
3. REMOVE EXISTING BALLAST COVER.
4. DISCONNECT POWER FROM BALLAST.
5. REMOVE EXISTING BRACKETS & SOCKETS.
6. INSTALL NEW MOUNTING BRACKETS (SHOWN) APPROXIMATELY 10" FROM BOTH ENDS OF THE CHANNEL. WITH TEK-SCREWS. (PROVIDED)
7. INSTALL NEW BALLAST ON TO NEW COVER ON THE FLOOR.
8. REPLACE NEW COVER TO THE CHANNEL, PASSING BALL & CHAIN THROW HOLES IN COVER TO LOCK COVER INPLACE.
9. PUSH PIN THROW CAP THEN THROW HOLE IN COVER ALLOWING BALL & CHAIN TO WIND AROUND PIN IN CAP.
10. TURN ON ELECTRICAL POWER AT MAIN DISCONNECT PANEL



EXISTING FIXTURE

NTS



*NEW BALL CHAIN KIT

NTS

(*4' KIT SHOWN)



4050 W. CHANDLER AVE.
SANTA ANA, CA. 92704
TEL: (714)434-0555
FAX: (714)434-6555

317 N.E. 35th AVE
GAINESVILLE, FL 32609
TEL: (352)692-5900
FAX: (352)692-5901

info@precisionfluorescent.com

UBC-BC

BALL CHAIN ASSEMBLY
INSTALLATION SHEET

SIZE:	FSCM NO.:	DWG NO.:	REV.:
SCALE:	NOTED	UBC-BC-INSTALL	
		SHEET:	1 OF 1