

RWT – Wet Location Troffer

Wash Down Troffers Can Be Expensive and Hard to Find.

- The RWT provides wet location Troffer options at an economical price point.
- Quick turn around times....
- Durable White Powder Coat Finish....
- Suitable for Grid or Hard top ceilings....
- UL 1598 wet location rating for covered ceiling applications....
- Brand Specific or Exotic Ballasts....
- Emergency Ballasts....

Time is Money

- We understand that you need quick turn around times to make your bottom line.
- Our agile Service Hub can meet your needs fast and get you back to what's really important, your customers.
- From quoting to engineering, we measure our response time in hours not days.

RWT- Recessed Wet Location Troffer



Application

- Food Processing
- Pharmaceuticals
- Wash down areas
- Suitable for wet "from below" applications. Covered ceilings only, not wet rated "from above" T-bar grid or above hard deck.
- Custom reflectors optional.
- Available in 2, 3 and 4 lamp cross sections, T8 or T5.

RWT – PR – 2x4 – 3L – T8 – UL1 – LP – ISD – UE

RWT	PR	2x4	3L	T8	UL1	LP	ISD	UE	
Model	Lens Type	Fixt Size	Lamp Quantity	Lamp Type	Voltage	Ballast Factor	Ballast Starting	T8 Ballast Grade	Other

Fixture Series

RWT = Wet Location Troffer

Lens Type

PR = A12 Acrylic Prismatic
P9 = A19 Acrylic Prismatic

Fixture Size

2X4 = 2x4 Nominal
2X2 = 2x2 Nominal

Lamp Qty

2L = 2 Lamp
3L = 3 Lamp
4L = 4 Lamp

Lamp Type

T8 = Linear T8 Lamps
T5 = Linear T5 Lamps
T5HO = Linear T5HO Lamps

Voltage (1)

UL1 = Universal 120-277
UL2 = Universal 120-277
UH1 = Universal 347-480
UH2 = Universal 347-480
120 = 120 Volt Dedicated
277 = 277 Volt Dedicated

Ballast Factor (2)

XL = Ultra Low Power (.62 - .66)
LP = Low Power (.75 - .78)
MP = Mid Power (.85 - .88)
MN = Neutral Power (.97 - 1.04)
HP = High Power (1.15 - 1.20)

Ballast Starting Method

PS = Programmed Start
IS = Instant Start
PSD = Program Start Step Dimming
ISD = Instant Start Step Dimming
PVD = Program Start
0-10v Variable Dim
IVD = Instant Start 0-10v Variable Dim

T8 Ballast Grade

ST = Standard Grade
UE = Ultra Efficient T8

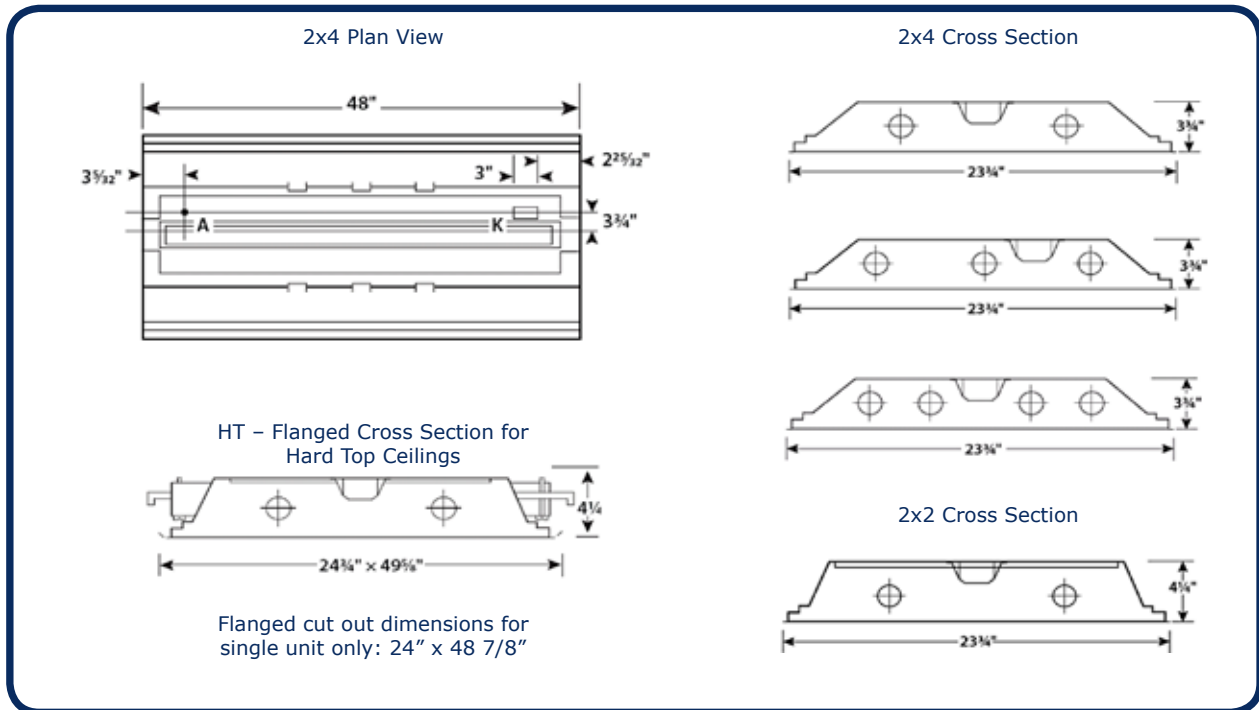
Other Options

SB = Specific Ballast Type or Manufact

Numeric Footnotes

- (1) Numeral indicates number ballasts per fixture.
- (2) Ballast factors outside ranges shown to be called out numerically.
- (3) If SB or EB is requested, purchaser must identify the ballast manufacturer and the catalog number.

RWT – Wet Location Troffer



Existing System

Existing Lamp / Ballast System	Lamp Qty & Type	Mean Lumens Per Lamp	Mean Lumens Per Fixture	Ballast Factor	Net Lumens Per Fixture	Input Watts	Net Lumens Per Watt
4L40-T12 Mag Pris	4 F40/T12/WM	2,280	9,120	0.88	8,026	144	56
3L40-T12 Mag Para	3 F40/T12/WM	2,280	6,840	0.88	6,019	115	52
2L40-T12-U6 Mag Para	2 F40/T12/U6/WM	2,280	4,560	0.88	4,013	72	56

Re-Lighting Options

Proposed Lamp / Ballast System	Lamp Qty & Type	Mean Lumens Per Lamp	Mean Lumens Per Fixture	Ballast Factor	Net Lumens Per Fixture	Input Watts	Net Lumens Per Watt
2L17-T8-MP Elec	2 F17T8/841	1,300	2,600	0.90	2,340	31	75
2L17-T8-HP Elec	2 F17T8/841	1,300	2,600	1.23	3,198	41	78
3L17-T8-MP Elec	3 F17T8/841	1,300	3,900	0.90	3,510	45	78
2L32-T8-LP Elec	2 F32T8/841	2,800	5,600	0.77	4,312	48	90
2L32-T8-MP Elec	2 F32T8/841	2,800	5,600	0.87	4,872	53	92
2L32-T8-MN Elec	2 F32T8/841	2,800	5,600	1.04	5,824	64	91
2L32T8-HP Elec	2 F32T8/841	2,800	5,600	1.15	6,440	73	88
3L32-T8-LP Elec	3 F32T8/841	2,800	8,400	0.77	6,468	72	90
3L32-T8-MP Elec	3 F32T8/841	2,800	8,400	0.87	7,308	80	91
4L32-T8-LP Elec	4 F32T8/841	2,800	11,200	0.77	8,624	96	90
4L32-T8-MP Elec	4 F32T8/841	2,800	11,200	0.87	9,744	107	91

General Notes

- Lamp/ballast system values shown are a general reference intended to supply a quick comparison of several common lamp/ballast systems, the associated energy consumption, and net lumen output.
- Values shown are based on normal operating temperatures and at 277 volts.
- There are many operating variables that affect system output, in addition to rating variances from brand to brand.
- All T8 electronic ballast values shown are based on Ultra Efficient (aka 3rd Generation) T8 ballasts.
- All T5 and T8 lamp values shown are for basic grade lamps. Extended life and higher lumen lamps types are available.
- In addition to those shown there are a wide variety of systems to choose from, each with distinct features and cost points.
- Please consult the lamp/ballast manufacturer's catalogs for the detailed information required to model your system.