

SAN – Sanitube Food Service Strip

Food Service

- The Sanitube provides an energy efficient option for your food service project.
- NSF rated for splash zone applications.

Wet Location

- IP65 rating makes it ideal for hose down, wet location and clean room applications.

Design Features

- Rugged single piece acrylic housing.
- Sealed stainless steel end caps.
- Adjustable stainless steel mounting clamps.
- Watertight Woodhead cord system.
- Optional Enhanced aluminum reflectors.

Our Experience

- We've been focused on nothing but supporting energy efficient re-lighting projects since 1992. Hit a dead end? Give our application support team a try.

SAN – Food Service Strip, NSF and Wet Location Rated



Application

- Any NSF application, food service, or wet location application.
- Available in 2 lamp T5HO cross section (4 T5HO lamps per 8') or 3 lamp T8 cross section (6 T8 lamps per 8').
- EA reflector suitable for Hi-bays.
- WA or NA reflector for Lo-bays or task lighting applications.

SAN – 1x8 – 4L – T8 – UL1 – HP – IS – ST – NA – CWH8

SAN	1x8	4L	T8	UL1	HP	IS	ST	NA	CWH8			
Model	Fixt Size	Lamp Qty	Lamp Type	Voltage	Ballast Factor	Ballast Starting	Ballast Grade	Reflector Material	Cord Plug	Other	Other	Other

Fixture Model

SAN

Fixture Size

1x4 = 1x4 Nominal
1x8 = 1x8 Nominal

Lamp Qty

xL = x Indicates quantity of lamps

Lamp Type

T5HO = Linear T5HO Lamps
T8 = Linear T8 Lamps

Voltage (1)

UHx = Universal 347-480
ULx = Universal 120-277

Ballast Factor (2)

HP = High Power (1.15 - 1.20)
LP = Low Power (.75 - .78)
MN = Neutral Power (.97 - 1.04)
MP = Mid Power (.85 - .88)

Ballast Starting

IS = Instant Start
PS = Programmed Start

Ballast Grade

ST = Standard Grade
UE = Ultra Efficient T8

Reflector Material

EA = Enhanced Aluminum 93-94%
MM = Micro Matte 91-93%
WA = White Aluminum Reflector 90-91%
NA = None, Basic Strip Only

Cord & Plug

CWH8 = 8' Watertight Cord, No Plug

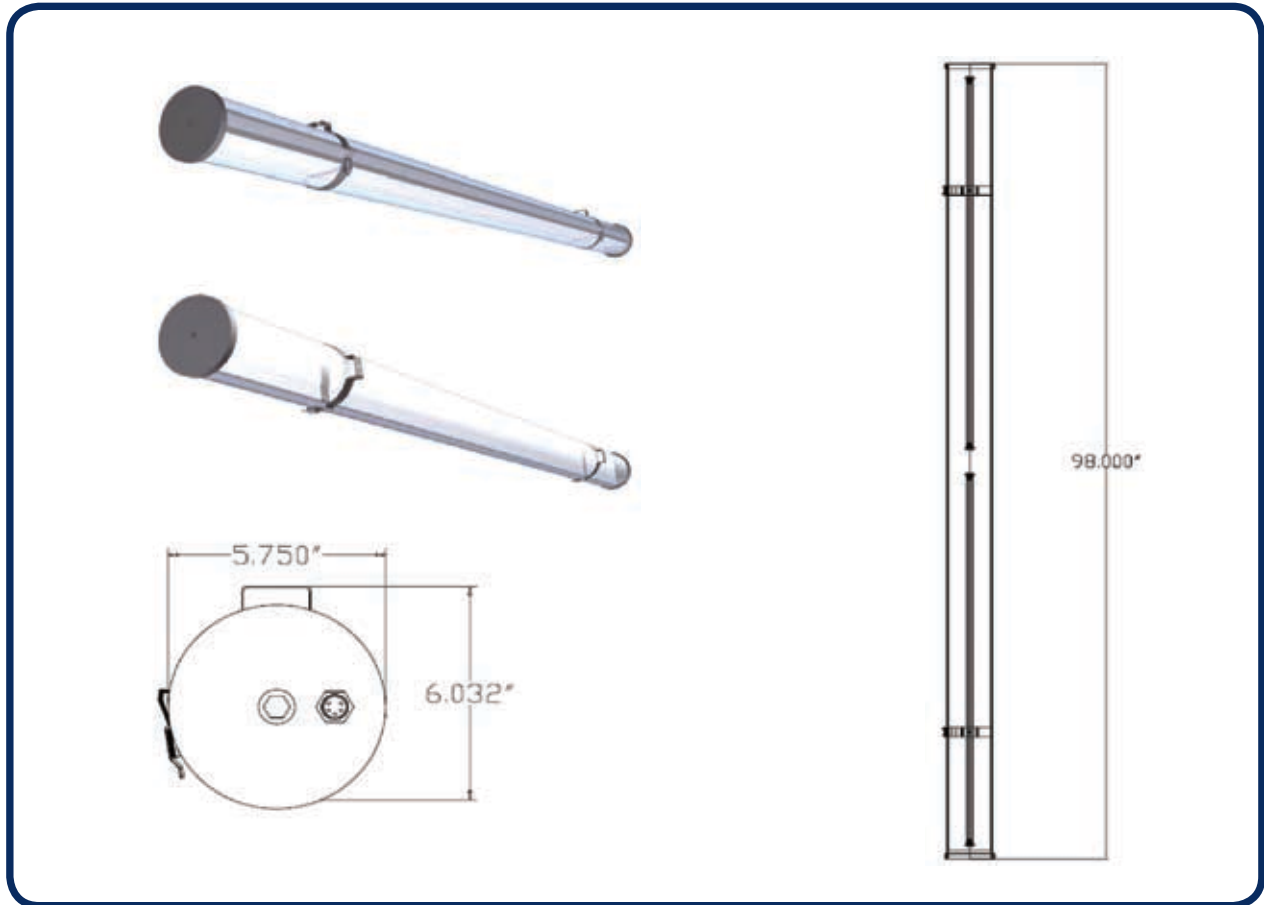
Other

LF = Factory Lamps (Lamp spec elsewhere)

Numeric Footnotes

- Numeral indicates number ballasts per fixture.
- Ballast factors outside ranges shown to be called out numerically.
- Numeral indicates number of lamps controlled.

SAN – Sanitube Food Service Strip



Existing System

Existing Hi-Bay System	Lamp Qty & Type	Initial Lamp Lumens	Lumen Maintenance	EOL(1) Lumens All Lamps	Total Fixture Lumens	Ballast Factor	Fixture Efficiency	EOL(1) Lumens Per Fixt	S/P (2) Ratio	Net (3) EOL Lumens	Fixt Input Watts
MH250	1 Std MH250	20,500	58%	11,890	11,890	1.00	0.75	8,918	1.49	12,171	295
MH320PS	1 PS MH320	31,700	62%	19,654	19,654	1.00	0.75	14,741	1.49	20,119	368
MH400	1 Std MH400	38,000	58%	22,040	22,040	1.00	0.75	16,530	1.49	22,561	458
HPS400	1 Std HPS400	50,000	70%	35,000	35,000	1.00	0.75	26,250	0.62	18,080	464

Re-Lighting Options

Proposed Hi-Bay System	Lamp Qty & Type	Initial Lamp Lumens	Lumen Maintenance	EOL(1) Lumens All Lamps	Total Fixture Lumens	Ballast Factor	Fixture Efficiency	EOL(1) Lumens Per Fixt	S/P (2) Ratio	Net (3) EOL Lumens	Fixt Input Watts
2L-T5HO	2 FP54T5HO	5,000	93%	4,650	9,300	1.00	0.90	8,370	1.62	12,194	176
4L-T5HO	4 FP54T5HO	5,000	93%	4,650	18,600	1.00	0.90	16,740	1.62	24,388	234
4L-T8 Plus	4 F32T8/841	2,950	90%	2,655	10,620	1.14	0.88	10,654	1.62	15,522	147
6L-T8 Plus	6 F32T8/841	2,950	90%	2,655	15,930	1.18	0.88	16,542	1.62	24,099	218

1) EOL = End of Life (2) S/P Ratio = Scotopic to Photopic Lumens (3) Net EOL Lumens = EOL Lumens Per Fixture x (S/P).78 [.78 exponent]

General Notes

- Lamp/ballast system values shown are a general reference intended to supply a quick comparison of several common lamp/ballast systems, the associated energy consumption, and net lumen output.
- Values shown are based on normal operating temperatures (25c T8 and 35c T5) and at 277 volts.
- Fixture efficiency percentages are generally representative of each system type, actual values will vary.
- There are many operating variables that affect system output, in addition to rating variances from brand to brand.
- All T8 electronic ballast values shown are based on Ultra Efficient (aka 3rd Generation) T8 ballasts.
- All T5 and T8 lamp values shown are for basic grade lamps. Extended life and higher lumen lamps types are available.
- In addition to those shown there are a wide variety of systems to choose from, each with distinct features and cost points.
- Please consult the lamp/ballast manufacturer's catalogs for the detailed information required to model your system.