


VRW – Vandal Resistant Wrap

 Versatile energy efficient, insect resistant wrap for relighting applications where vandalism is a primary concern.

- Public Restrooms...
- Correctional Facilities...
- Government Institutions...
- Stairwells...
- Parking Decks...
- High Abuse Areas...
- Under Canopies...

 Heavy Duty Construction Resists Vandalism.

- Highly impact resistant .187" clear prismatic polycarbonate diffuser.
- Requires removal of 6 tamper resistant screws for lamp cavity and ballast access.
- Low profile 5/8" back pan deters vandalism.
- Durable steel construction.

 VRW – Vandal and Insect Resistant Wrap



 Application

- Ceiling Mount, Wall Mount, Under Canopy.
- Available in 2 Lamp cross sections, T8 and T5HO.
- Damp locations.
- Optional wet location rating

VRW – 1x4 – 2L – T5HO – UL1 – MN – PS – ST

VRW	1x4	2L	T5HO	UL1	MN	PS	ST		
Model	Fixt Size	Lamp Quantity	Lamp Type	Voltage	Ballast Factor	Ballast Starting	Ballast Grade	Other	Other

Fixture Series
VRW = Vandal Resistant Wrap

Fixture Size
1x4 = 1x4 Nominal

Lamp Qty
2L = 2 lamp

Lamp Type
T8 = Linear T8 Lamps
T5 = Linear T5 Lamps
T5HO = Linear T5HO Lamps

Voltage (1)
UL = Universal 120-277
UH = Universal 347-480

Ballast Factor
XL = Ultra Low Power (.62 - .66)
LP = Low Power (.75 - .78)
MP = Mid Power (.85 - .88)
MN = Neutral Power (.97 - 1.04)
HP = High Power (1.15 - 1.20)

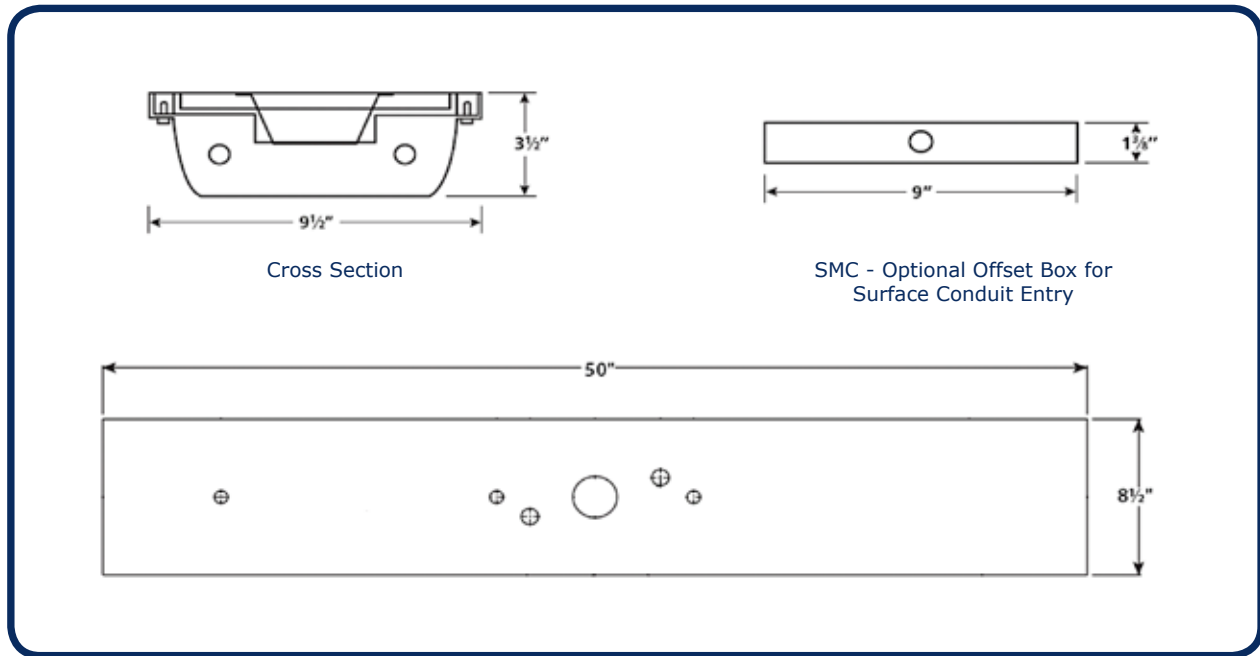
Ballast Starting Method
PS = Programmed Start
IS = Instant Start
Ballast Grade
ST = Standard Grade
UE = Ultra Efficient T8

Other Options
WL = Wet Location Rated (1)
SMC = Offset box for surface conduit entry

Numeric Footnotes

(1) Damp location rating is standard. Wet location rating only available in ceiling mount applications.

VRW – Vandal Resistant Wrap



Existing System

Existing Lamp / Ballast System	Lamp Qty & Type	Mean Lumens Per Lamp	Mean Lumens Per Fixture	Ballast Factor	Net Lumens Per Fixture	Input Watts	Net Lumens Per Watt
2L40-T12 Mag	2 F40/T12/WM	2,280	4,560	0.88	4,013	72	56
3L40-T12 Mag	3 F40/T12/WM	2,280	6,840	0.88	6,019	115	52

Re-Lighting Options

Proposed Lamp / Ballast System	Lamp Qty & Type	Mean Lumens Per Lamp	Mean Lumens Per Fixture	Ballast Factor	Net Lumens Per Fixture	Input Watts	Net Lumens Per Watt
2L32-T8-MP Elec	2 F32T8/841	2,800	5,600	0.87	4,872	53	92
2L32T8-HP Elec	2 F32T8/841	2,800	5,600	1.15	6,440	73	88
2L54-T5-HO Elec	2 F54/T5HO/841	4,600	9,200	1.00	9,200	117	79

General Notes

- Lamp/ballast system values shown are a general reference intended to supply a quick comparison of several common lamp/ballast systems, the associated energy consumption, and net lumen output.
- Values shown are based on normal operating temperatures and at 277 volts.
- There are many operating variables that affect system output, in addition to rating variances from brand to brand.
- All T8 electronic ballast values shown are based on Ultra Efficient (aka 3rd Generation) T8 ballasts.
- All T5 and T8 lamp values shown are for basic grade lamps. Extended life and higher lumen lamps types are available.
- In addition to those shown there are a wide variety of systems to choose from, each with distinct features and cost points.
- Please consult the lamp/ballast manufacturer's catalogs for the detailed information required to model your system.